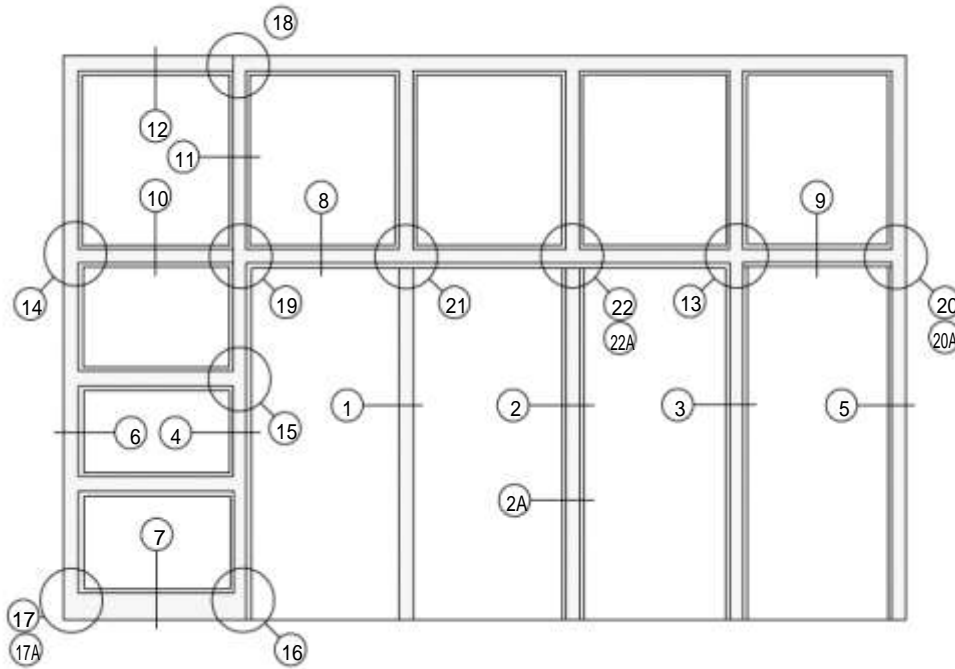


**ENGINEERING DETAILS for
SIDELITE, TRANSOM and MULTI-LITE FRAMES ASSEMBLY**



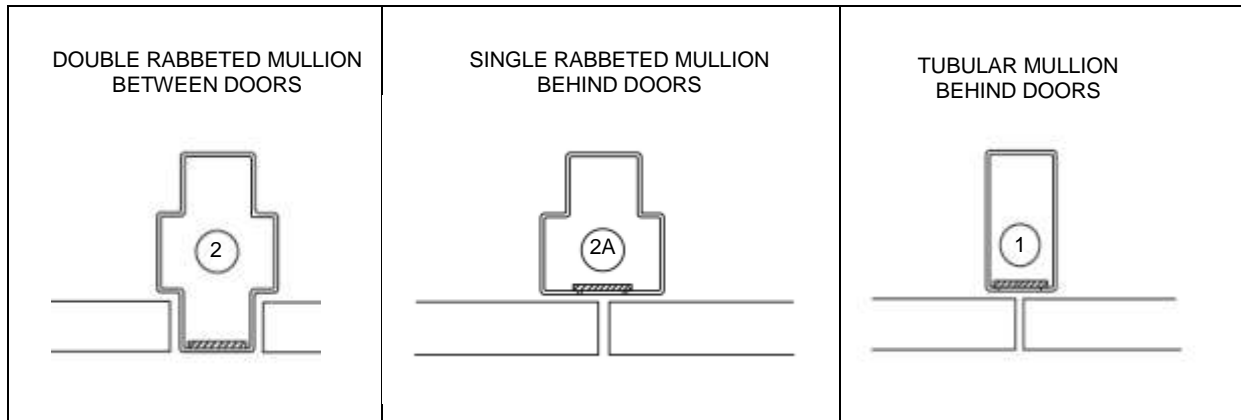
SECTIONS

1. Removable Tubular Mullion (Page 4)
2. & 2A. Removable Mullion (Page 4)
3. Mullion Between Doors
4. Mullion at Sidelite and Door
5. Jamb at Door
6. Jamb at Sidelite
7. Base
8. Transom Bar at Door - Glass Over Door
9. Transom Bar at Door - Glass Opp. Door
10. Transom Bar at Sidelite
11. Mullion Between Glass Lights
12. Head at Transom

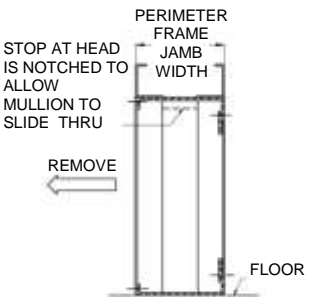
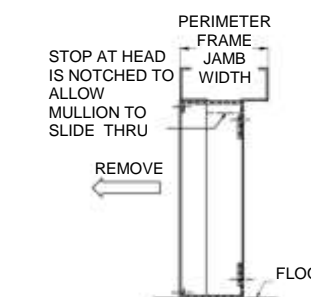
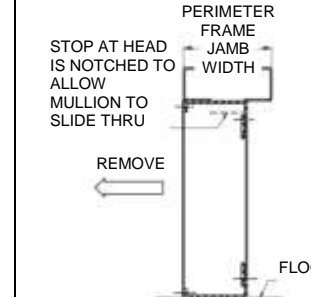
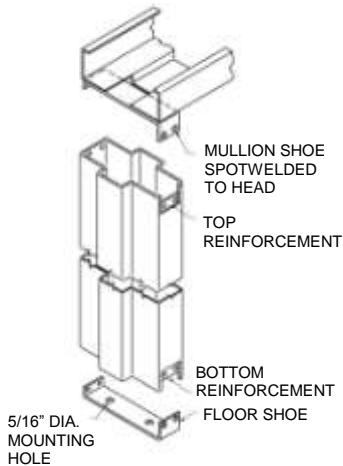
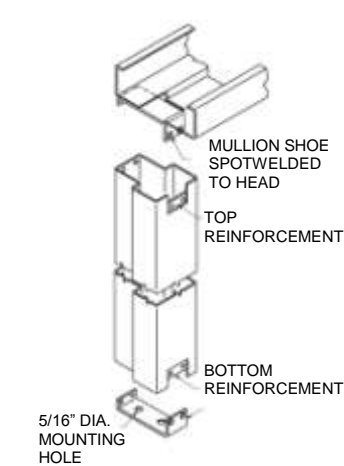
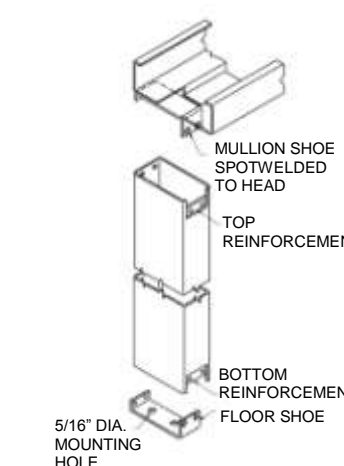
ISOMETRIC SECTIONS

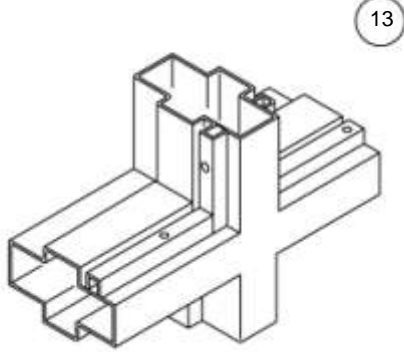
13. Intersection of Mullion and Transom Bar
14. Intersection of Jamb and Transom Bar
15. Intersection of Mullion at Door and Horizontal Mullion
16. Intersection of Base and Mullion
17. & 17A. Intersection of Jamb and Base
18. Butt Splice at Head
19. Butt Splice at Transom Bar
20. & 20A. Removable Transom Bar
21. Intersection of Removable Tubular Mullion at Transom
22. & 22A. Intersection of Removable Mullion at Transom

TYPICAL REMOVABLE MULLION SECTIONS

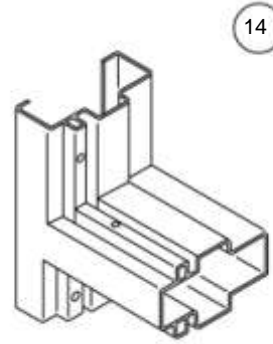


TYPICAL REMOVABLE MULLION ELEVATIONS AND ISOMETRIC SECTIONS

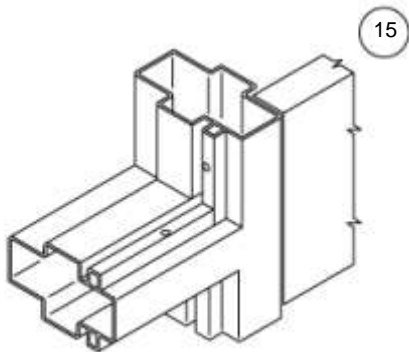
		
<p>GENERAL SCREW ATTACHMENT INFORMATION MULLION SHOE AT HEAD AND FLOOR COUNTERSUNK ON OUTSIDE AND DRILLED & TAPPED ON INSIDE FOR 12-24 x 1/2" F.H.M.S. FURNISHED BY PIONEER. TOP AND BOTTOM MULLION PREPARATION DRILLED & TAPPED ON OUTSIDE, COUNTERSUNK ON INSIDE FACE.</p>		
		
<p>FLOOR SHOE APPLIED BY INSTALLING CONTRACTOR USING BOLTS AND SHIELDS PROVIDED BY OTHERS.</p>		



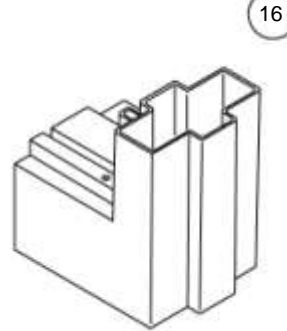
MULLION AT TRANSOM BAR



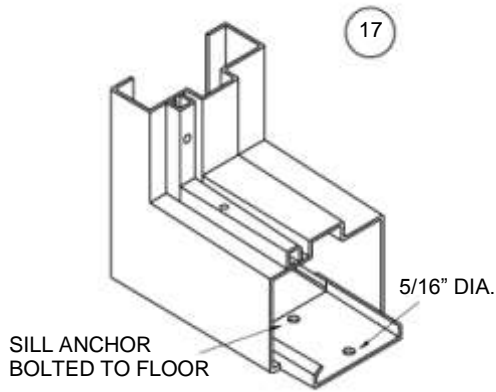
JAMB AT TRANSOM BAR



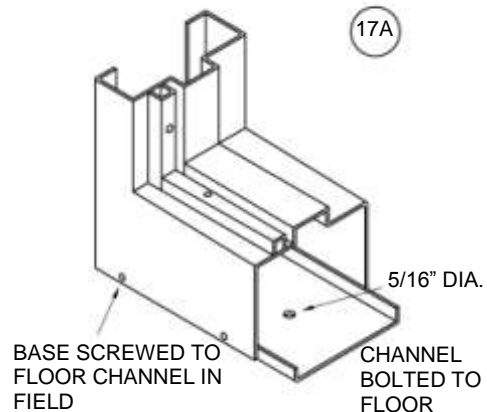
MULLION AT DOOR AND HORIZONTAL



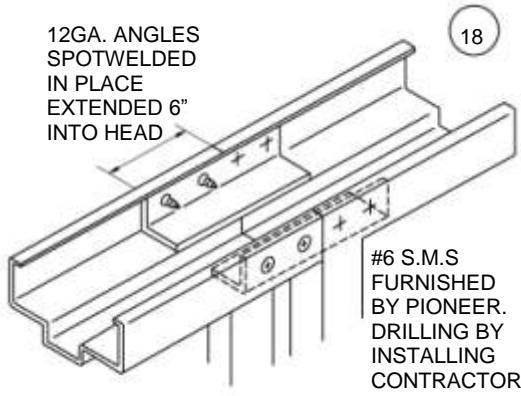
BASE AT MULLION



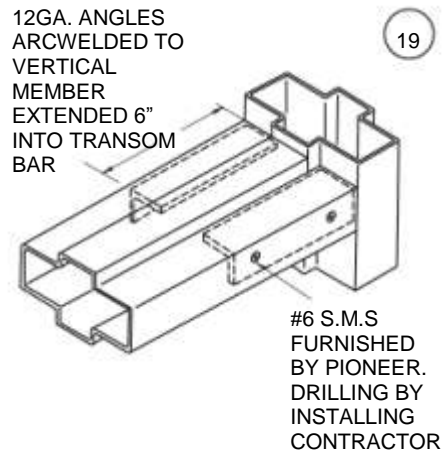
JAMB AT BASE



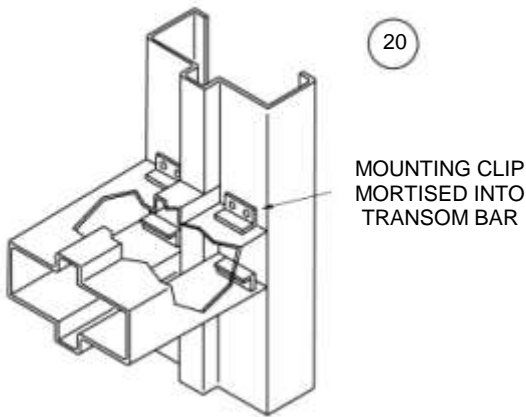
JAMB AT BASE



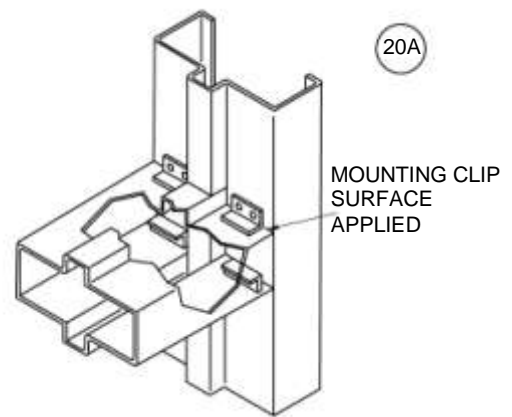
BUTT SPLICE AT HEAD



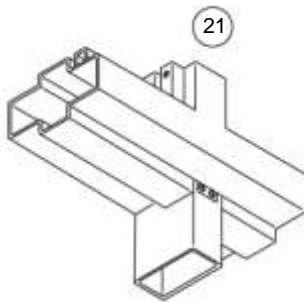
BUTT SPLICE AT TRANSOM BAR



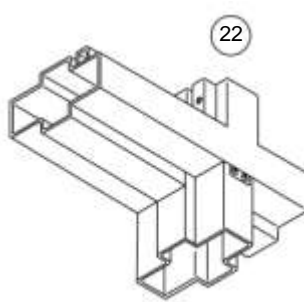
REMOVABLE MULLION



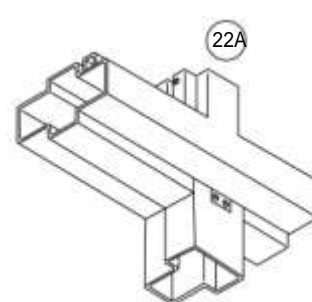
REMOVABLE MULLION



REMOVABLE TUBULAR MULLION

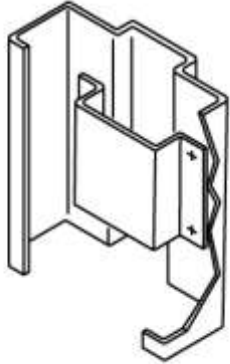


REMOVABLE DOUBLE RABBET MULLION



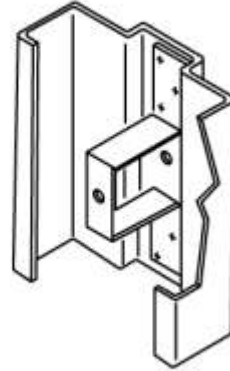
REMOVABLE SINGLE RABBET MULLION

F



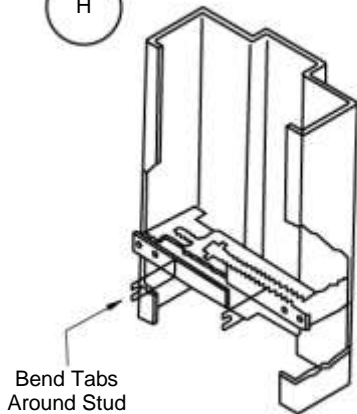
CLOSED CHANNEL STEEL STUD ANCHOR
(Specify stud width)

G



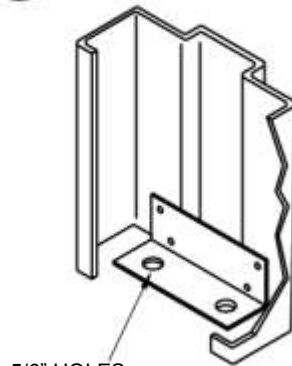
EXPANSION BOLT ANCHOR
(For existing Masonry)

H



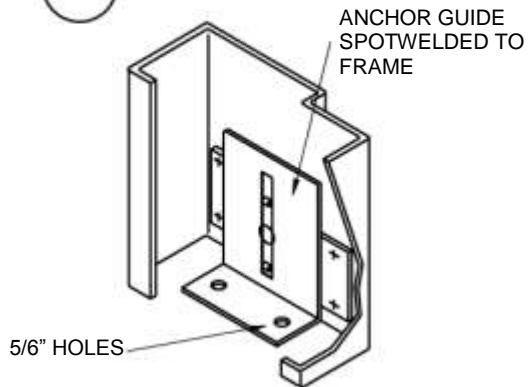
WOOD STUD ANCHOR
(Adjustable to desired Jamb width)

J



BASE ANCHOR

K



ADJUSTABLE FLOOR KNEE