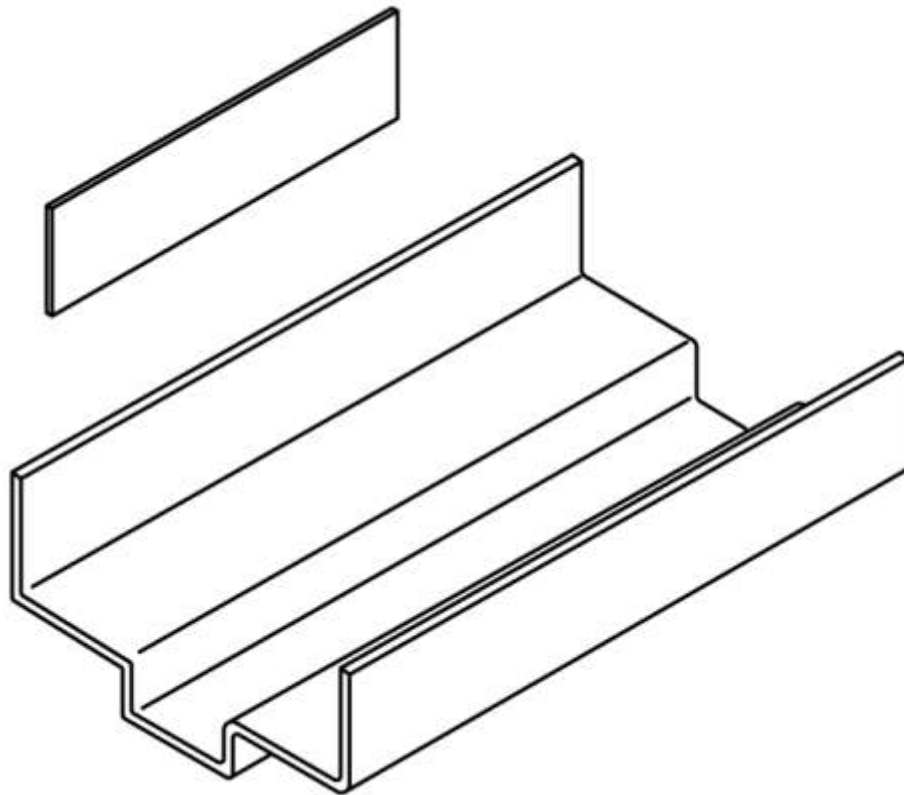
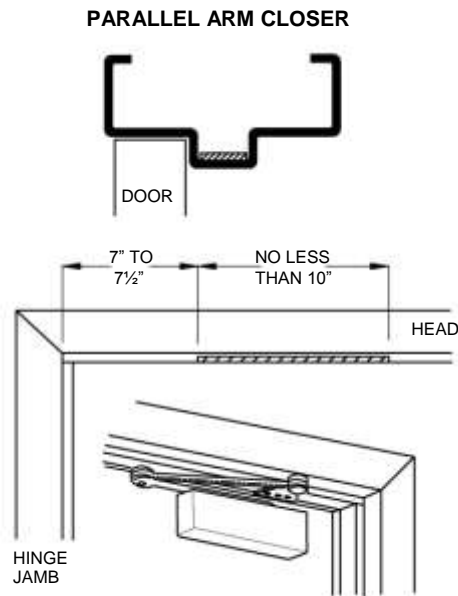
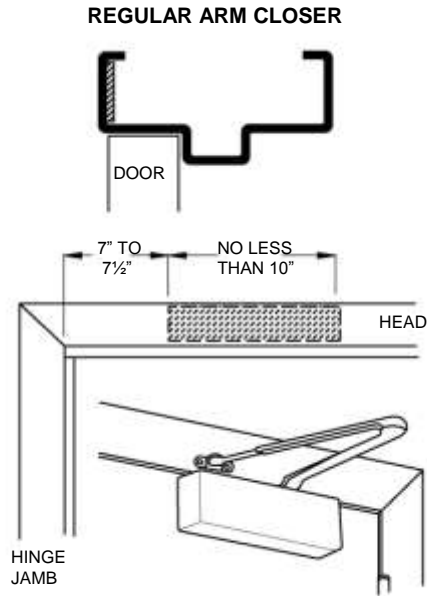
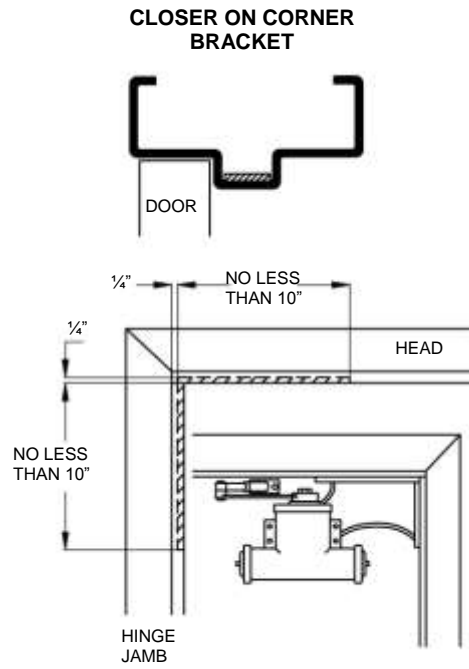
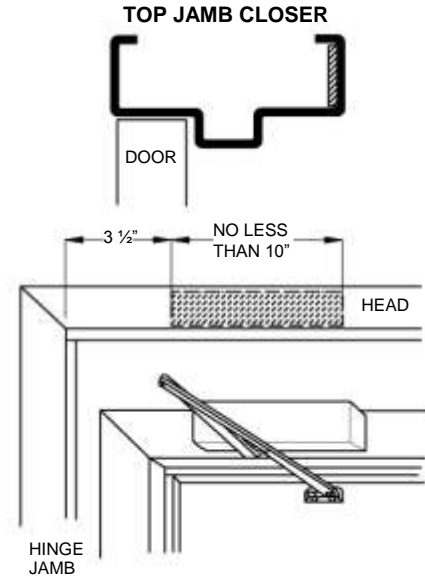


**Supplemental Reinforcement for  
Surface Applied CLOSERS,  
HOLDERS, COORDINATORS,  
STOPS and STRIKES on Frames**

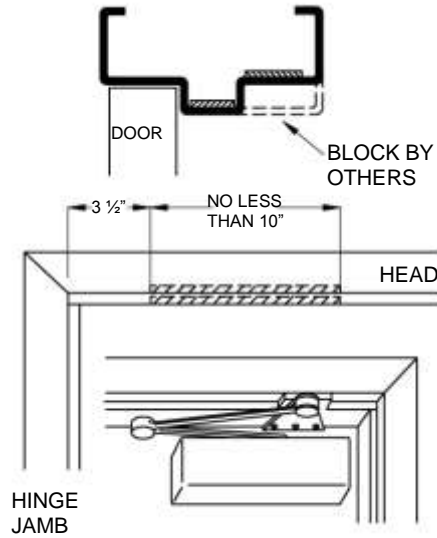


**Supplemental Reinforcement for  
Surface Applied CLOSERS,  
HOLDERS, COORDINATORS,  
STOPS and STRIKES on Frames**

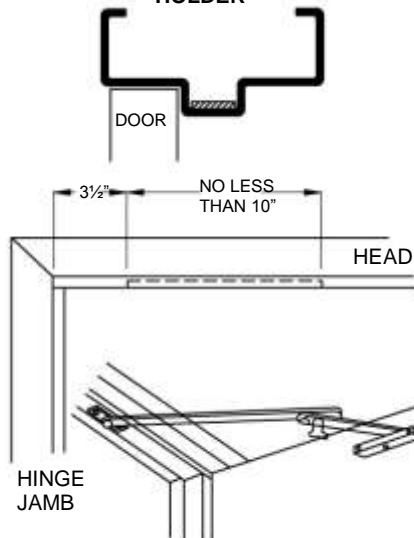




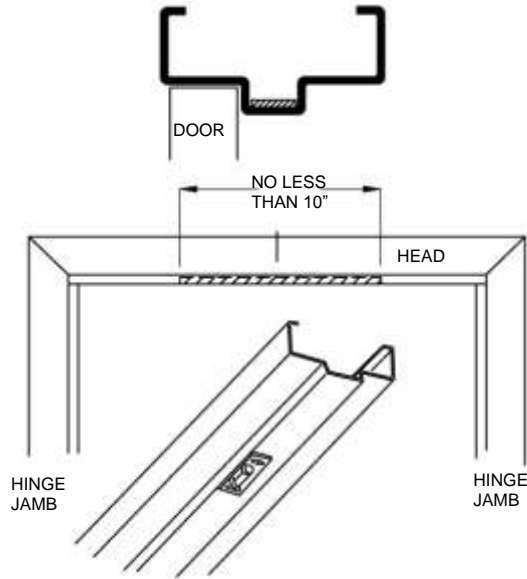
**PARALLEL ARM SOFFIT  
AND RABBET CLOSER**



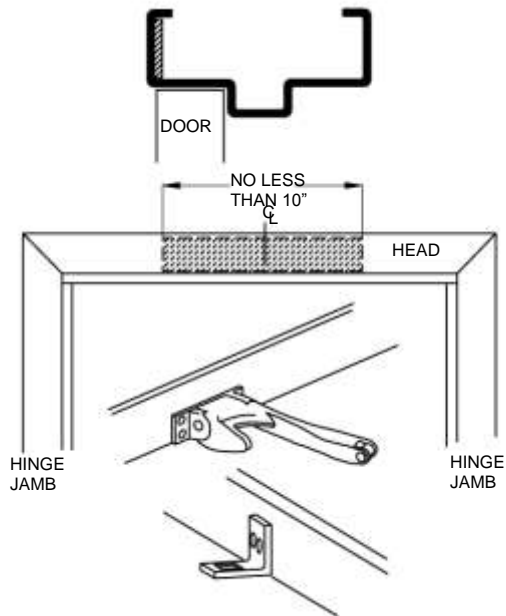
**SURFACE OVERHEAD  
HOLDER**

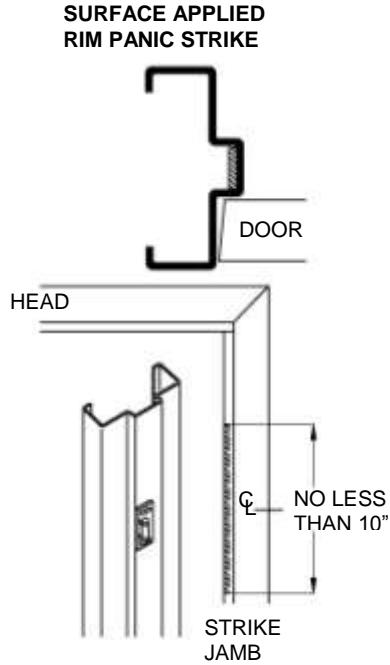


**SURFACE MOUNTED  
VERTICAL ROD PANIC STRIKE  
AT PAIR FRAME**

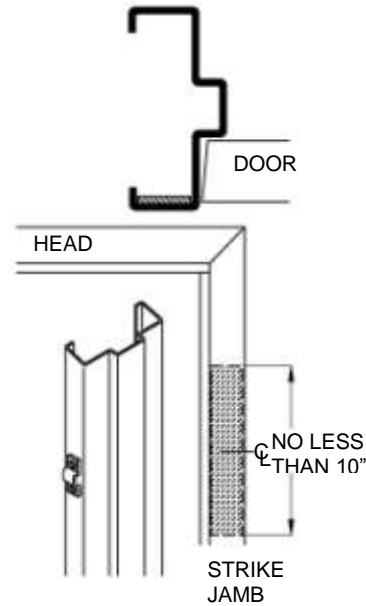


**COORDINATOR OR  
SURFACE BOLT STRIKE  
AT PAIR FRAME**



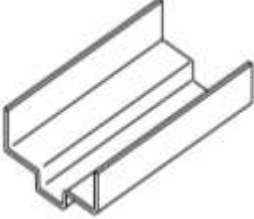
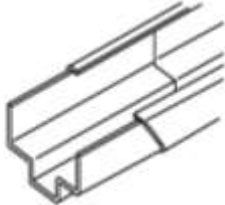




**VARIOUS SURFACE APPLIED  
RIM STRIKE APPLICATIONS**



**SUPPLEMENTAL FRAME REINFORCEMENTS**

	Part Number	Size		Gage	Material	Primary Application	Installation
		Length	Size				
Reinforcement Plate 	47050	10"	1 1/2"	12	CRS	Various stop and trim applications	 Tackweld into proper position.
Reinforcement Sleeve* 	47040	16"	4 9/16"	12	Galvanneal	Any stop, rabbet or trim mounting (4 3/4" jamb width)	 Slide reinforcement sleeve into position. Tackweld if necessary.
	47041	16"	5 9/16"	12	Galvanneal	Any stop, rabbet or trim mounting (5 3/4" jamb width)	
	47042	16"	6 9/16"	12	Galvanneal	Any stop, rabbet or trim mounting (6 3/4" jamb width)	
	47043	16"	8 9/16"	12	Galvanneal	Any stop, rabbet or trim mounting (8 3/4" jamb width)	

\*Series F UNI-FRAME stop clips prevent the use of a Reinforcement Sleeve.

**ENGINEERING DETAILS for Supplemental HEAD REINFORCEMENT**

Continuous angles or channel welded to the head of the frame to provide additional strength and rigidity. See note below.

