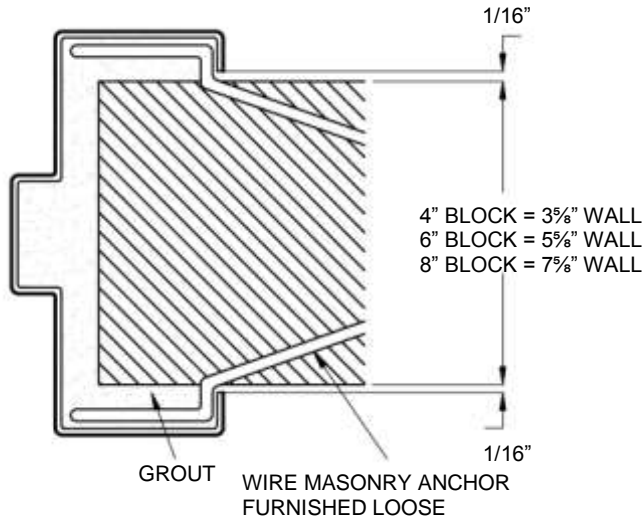
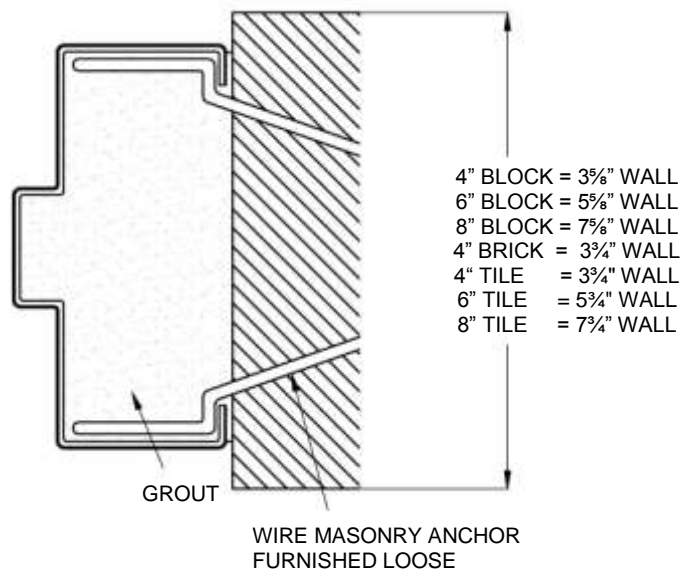


**ENGINEERING DETAILS for
MASONRY WALL CONSTRUCTION**

MASONRY CONSTRUCTION FRAME TO
SPAN WALL

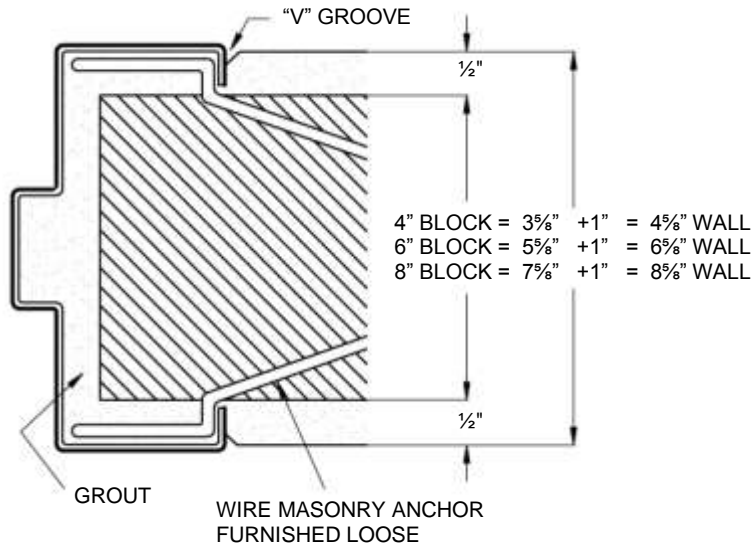


MASONRY CONSTRUCTION FRAME TO
BUTT WALL

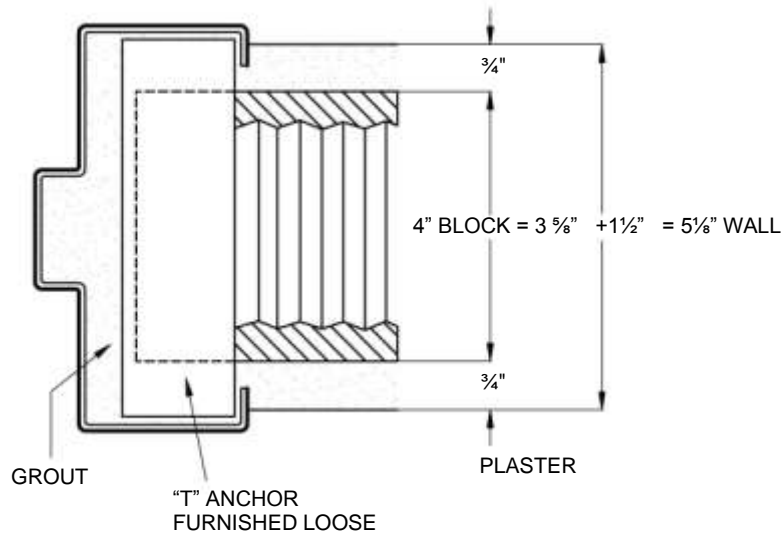


**ENGINEERING DETAILS for
MASONRY WALL CONSTRUCTION**

MASONRY CONSTRUCTION
PLASTER WALL



MASONRY CONSTRUCTION
FRAME KEYED-IN TO PLASTER

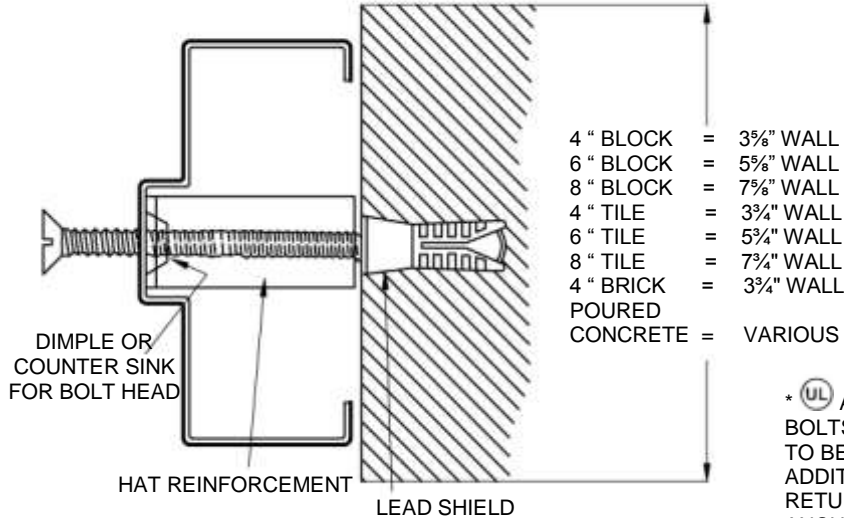


TECHNICAL DATA – FRAMES

WALL CONDITIONS

ENGINEERING DETAILS FOR EXISTING MASONRY WALL CONSTRUCTION

EXISTING MASONRY CONSTRUCTION AND
POURED CONCRETE CONSTRUCTION
FRAME SECURED WITH ANCHOR BOLTS AND
LEAD SHIELDS (PROVIDED BY OTHERS) *



* **UL** APPLICATION REQUIRES BOLTS AND STEEL SHIELDS TO BE FURNISHED BY PIONEER. ADDITIONAL STRAP JOINING RETURNS REQUIRED AT EACH ANCHOR.

EXISTING MASONRY CONSTRUCTION AND
POURED CONCRETE CONSTRUCTION
FRAME SECURED WITH ANCHOR BOLTS AND
LEAD SHIELDS (PROVIDED BY OTHERS)

