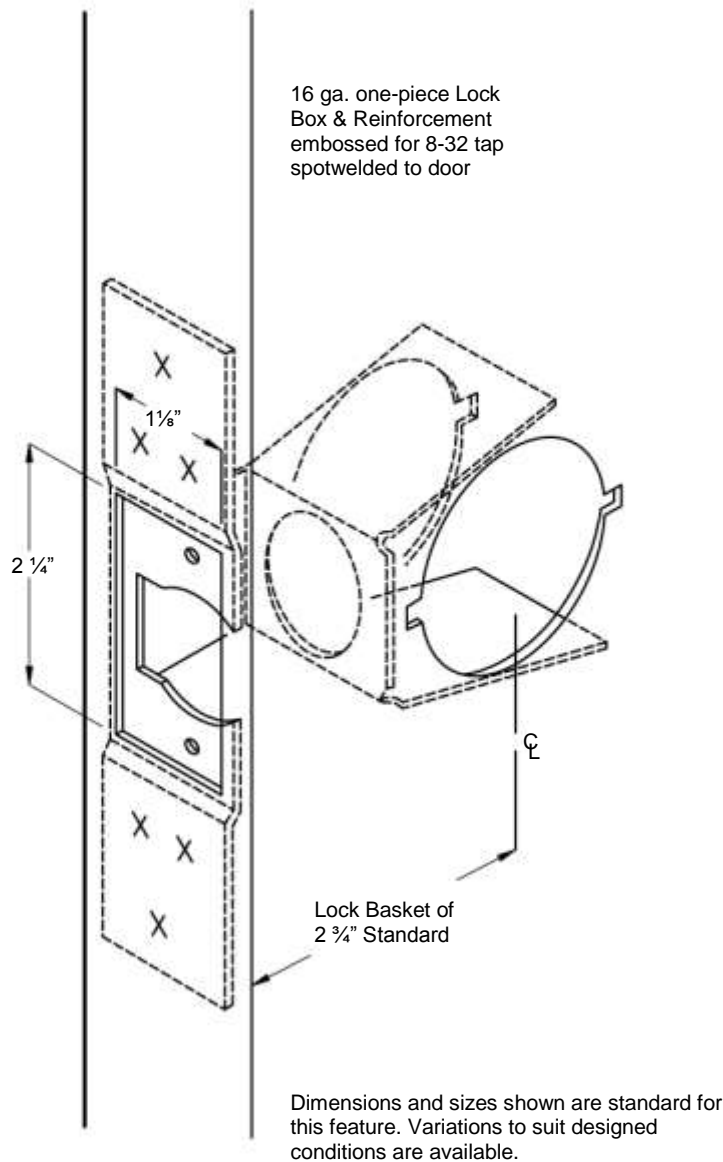


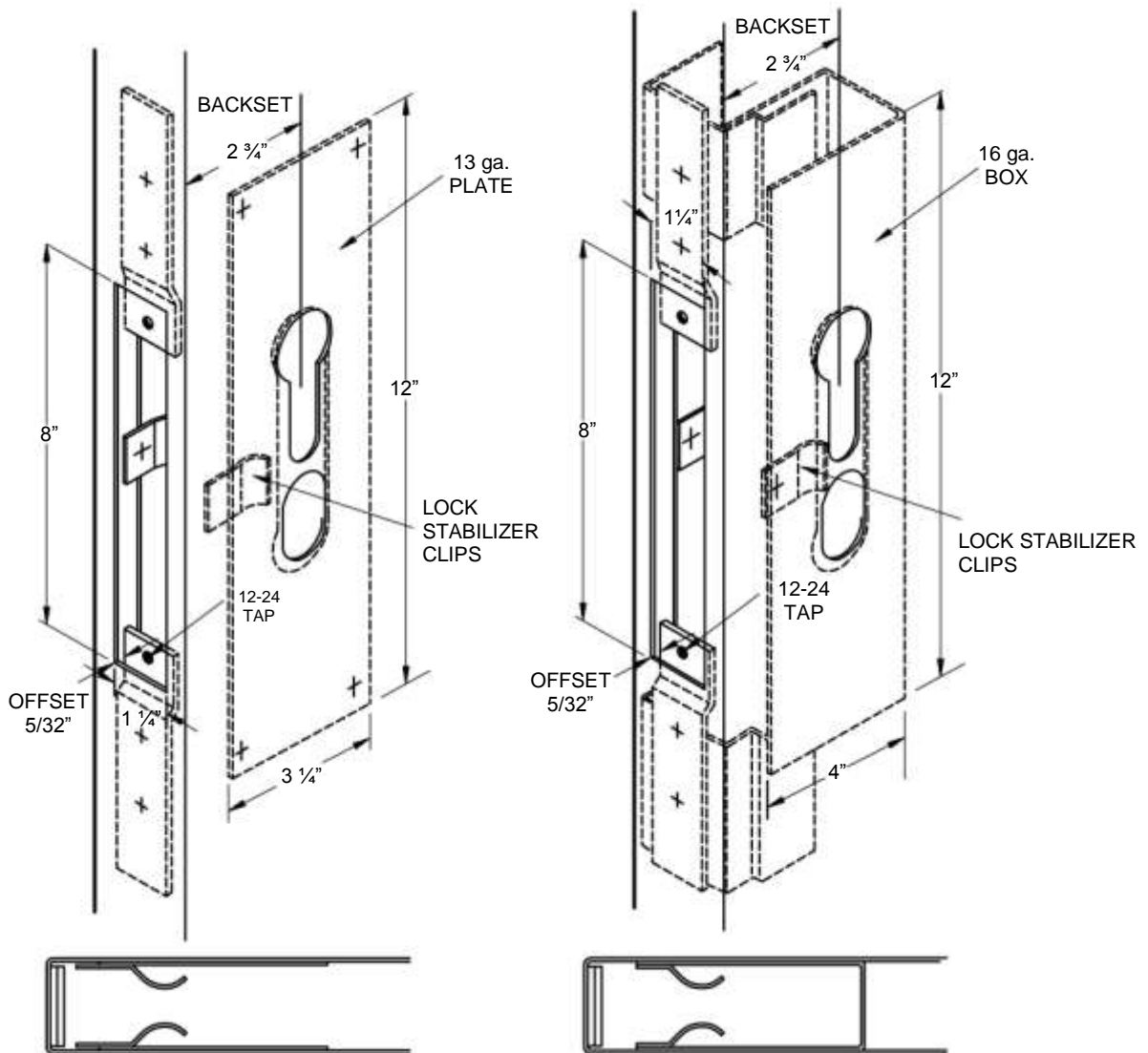
**ENGINEERING DETAILS for
CYLINDRICAL LOCK Preparation (Gov't.161)**



**ENGINEERING DETAILS for
MORTISE LOCK with Full Plate Trim (Gov't.86) ANSI/BHMA
A156.115**

AS DESIGNED FOR USE IN
STANDARD SERIES C, SERIES CHT
and SERIES HT DOORS

AS DESIGNED FOR USE IN
STANDARD SERIES H and SERIES
CH DOORS

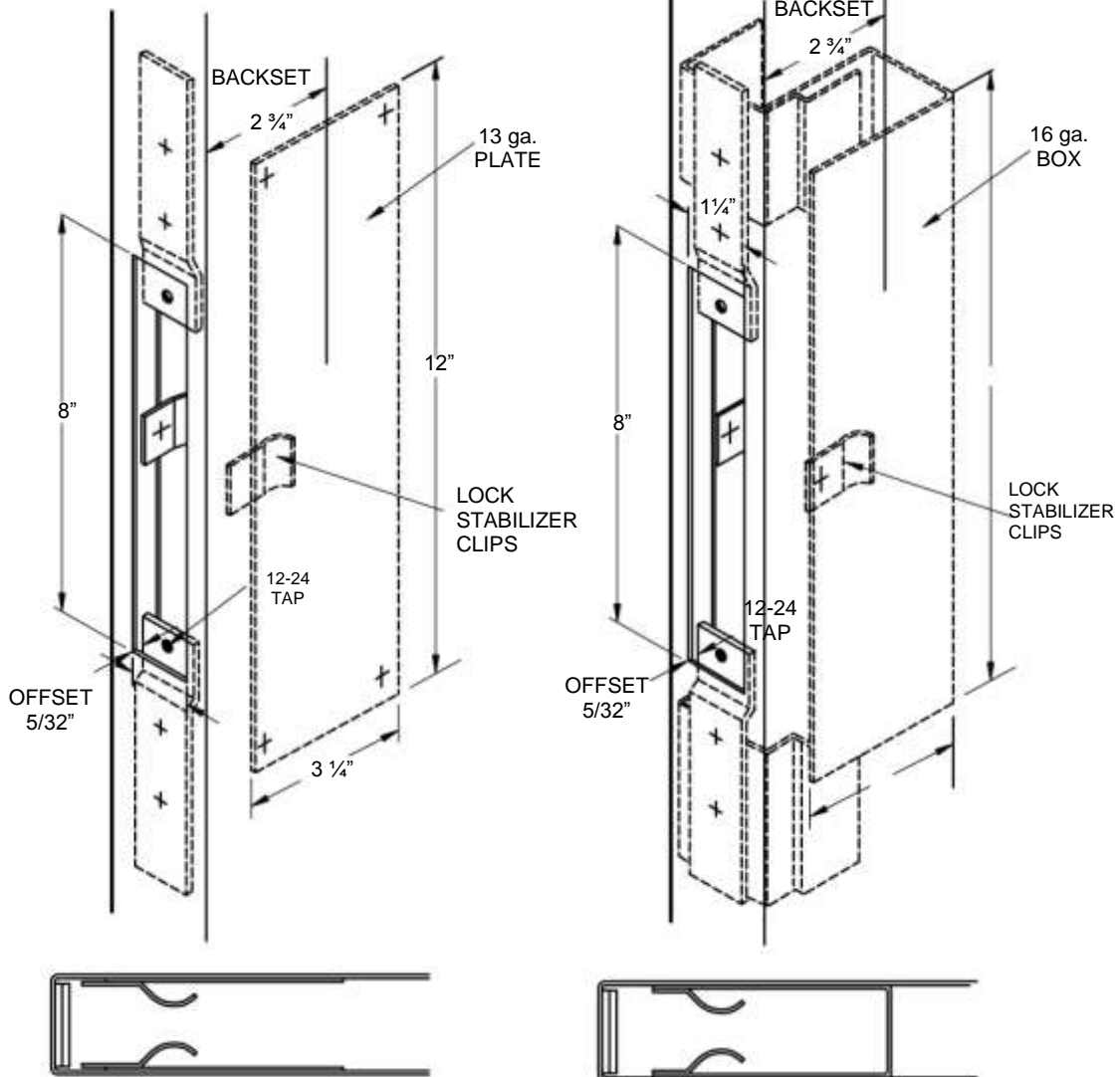


Dimensions and sizes shown are standard for this feature.
Variations to suit designed conditions are available.

**ENGINEERING DETAILS for
MULTI-PURPOSE Preparation (Gov't.86) ANSI/BHMA A156.115
Lock Edge Preparation with full internal lock prep. and blank
door faces.**

AS DESIGNED FOR USE IN
STANDARD SERIES C, SERIES CHT
and SERIES HT DOORS

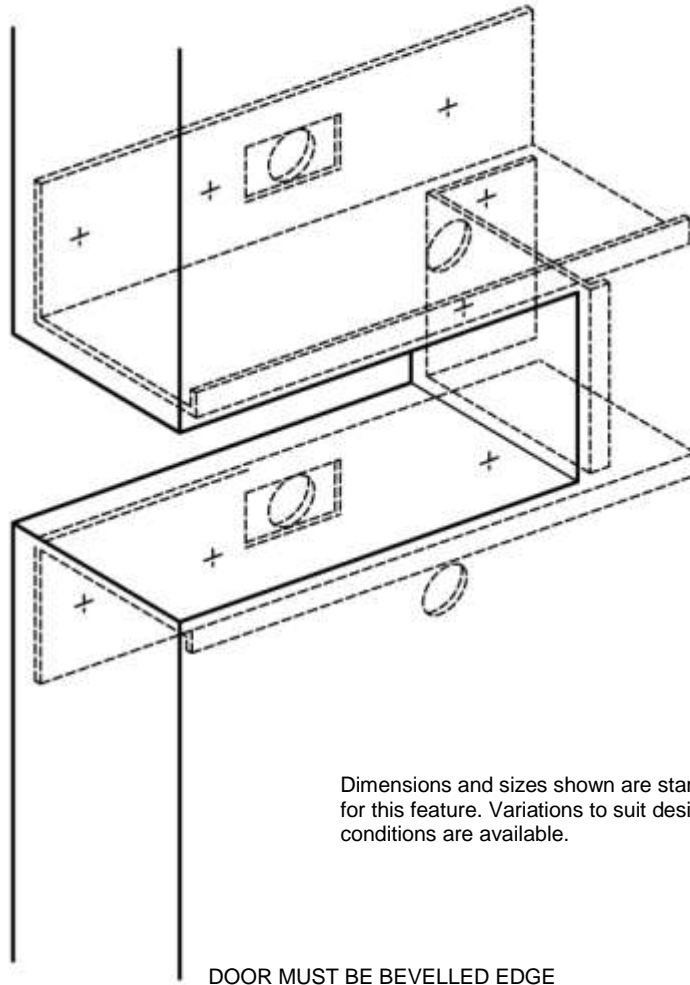
AS DESIGNED FOR USE IN
STANDARD SERIES H and SERIES
CH DOORS



Dimensions and sizes shown are standard for this feature.
Variations to suit designed conditions are available.

**ENGINEERING DETAILS for
UNIT LOCK Preparation (Gov't. 90)**

16 ga. Internal support
channels spotwelded to
door.



Dimensions and sizes shown are standard
for this feature. Variations to suit designed
conditions are available.

DOOR MUST BE BEVELLED EDGE