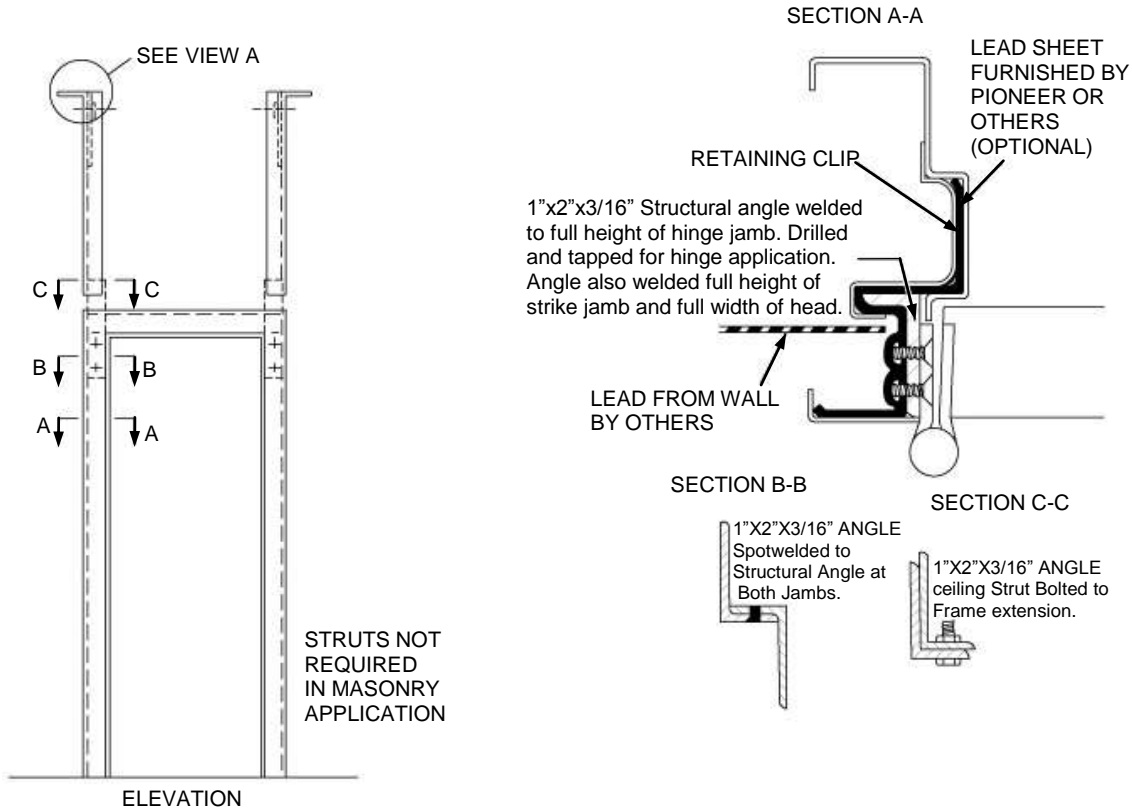
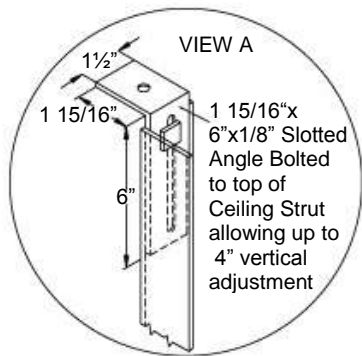


**ENGINEERING DETAILS for
LEAD LINED FRAME**



Recommended Minimum
LEAD SHEET SIZE for Typical Profile.



Typical Door Opening Size	4 3/4"	5 3/4"	6 3/4"	8 3/4"
3-0 x 7-0	8 1/2" x 18'	9 1/4" x 18'	10 1/4" x 18'	12 1/4" x 18'
6-0 x 7-0	8 1/2" x 21'	9 1/4" x 21'	10 1/4" x 21'	12 1/4" x 21'

Note: Lead thickness determined by others