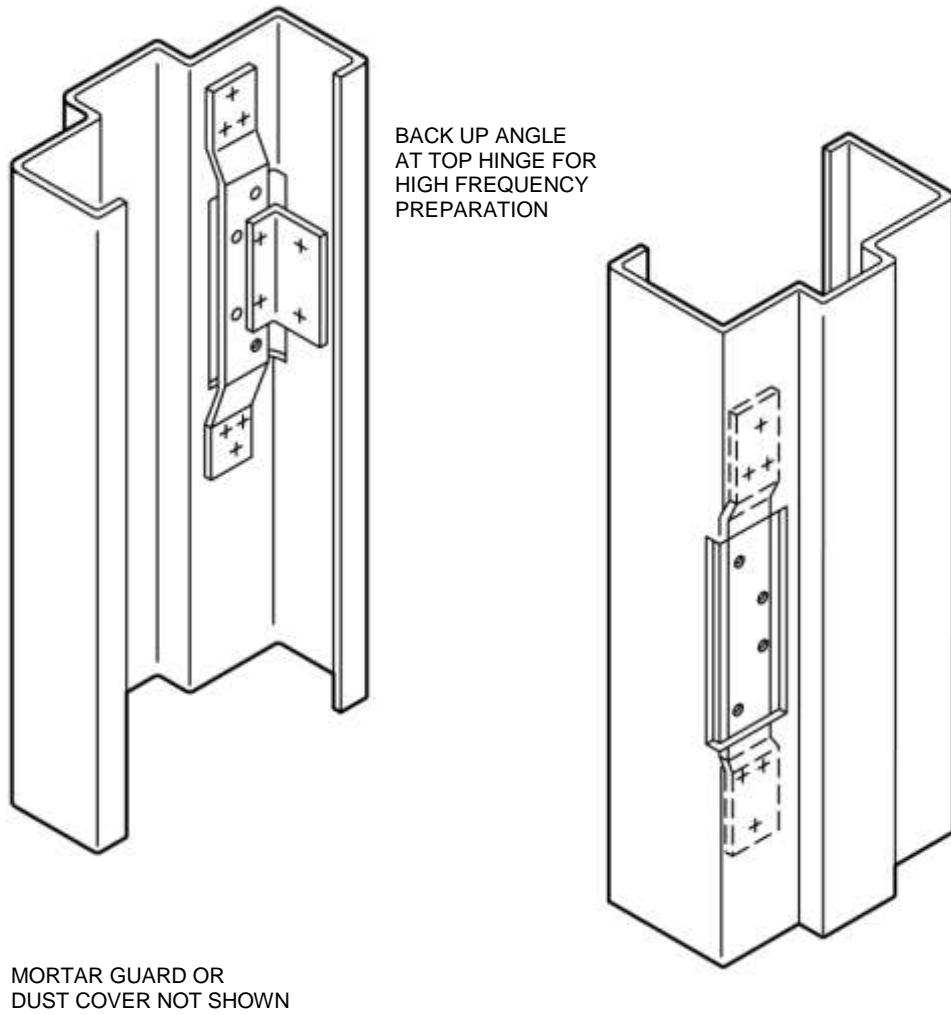
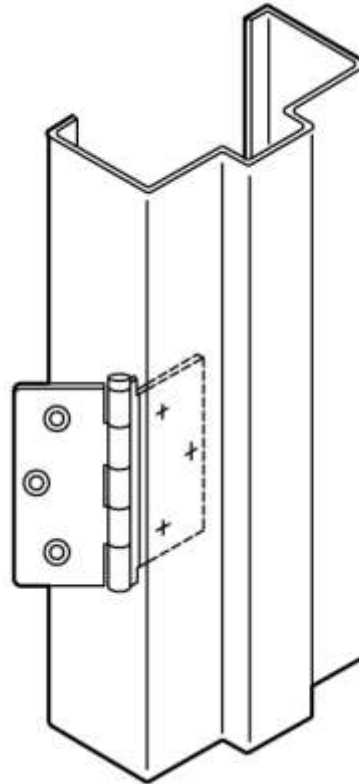
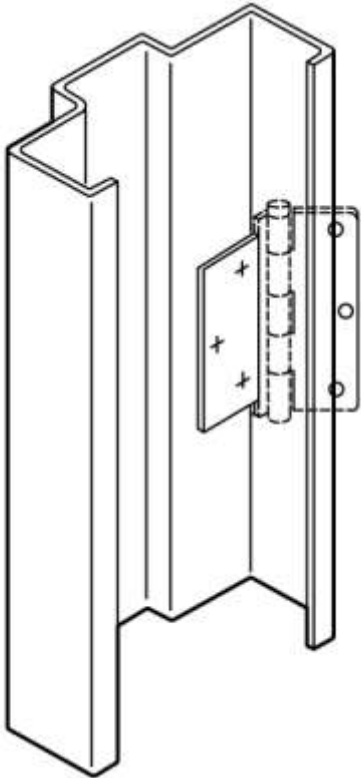


**ENGINEERING DETAILS for
HINGE Preparation**



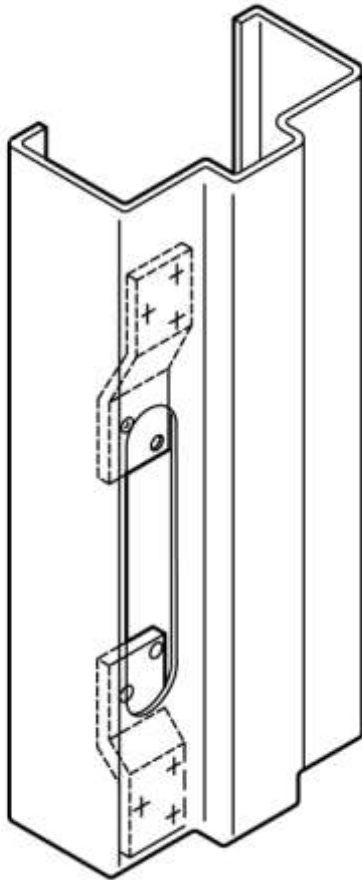
**ENGINEERING DETAILS for
WELD-ON 3 1/2" HINGES**



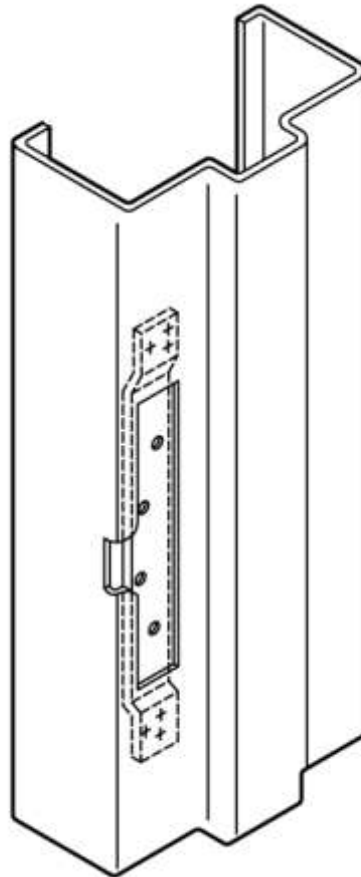
Only round corner door hinge leaf available, with choice of machine screws or wood screws. Specify when ordering. Door hinge leaf, hinge pin and screws shipped loose. Hinge manufacturer's standard prime finish provided. Loose hinge leaves, pins and screws furnished in factory prefinished colors when used on factory prefinished frames.

**ENGINEERING DETAILS for
SPECIAL HINGE Preparations**

SOSS INVISIBLE
HINGE PREPARATION



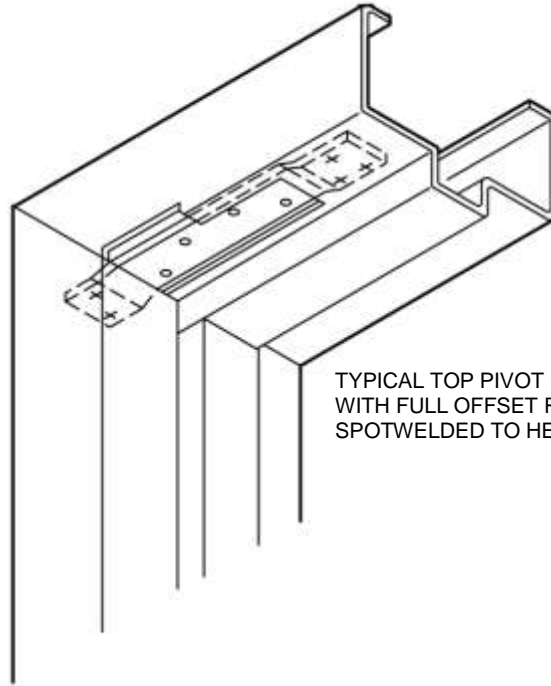
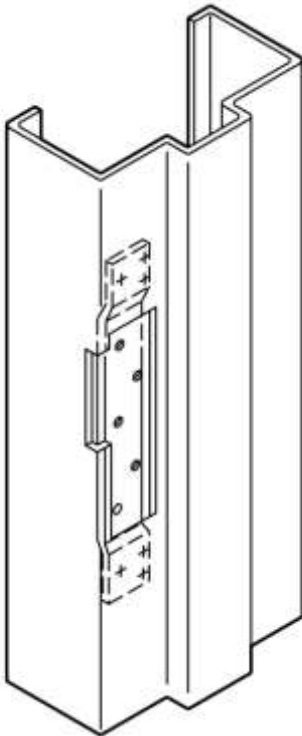
OLIVE KNUCKLE
HINGE PREPARATION



MORTAR GUARD OR DUST
COVER NOT SHOWN

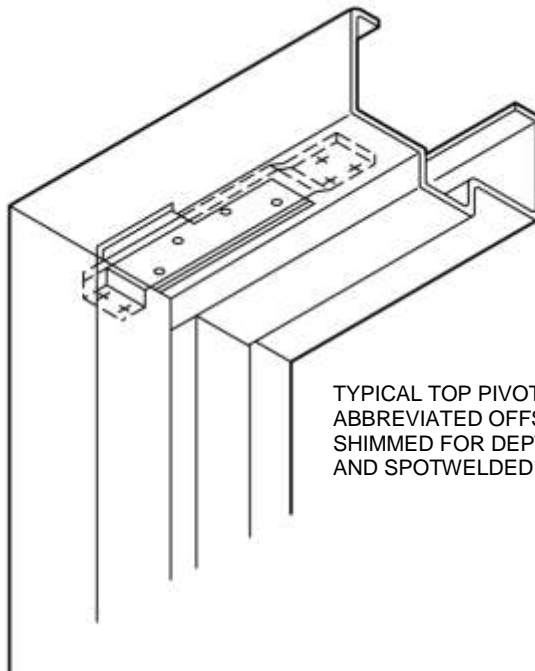
**ENGINEERING DETAILS for
Typical PIVOT HINGE Preparations**

TYPICAL JAMB MOUNTED
PIVOT HINGE PREPARATION



TYPICAL TOP PIVOT PREPARATION
WITH FULL OFFSET REINFORCEMENT
SPOTWELDED TO HEAD AT BOTH ENDS

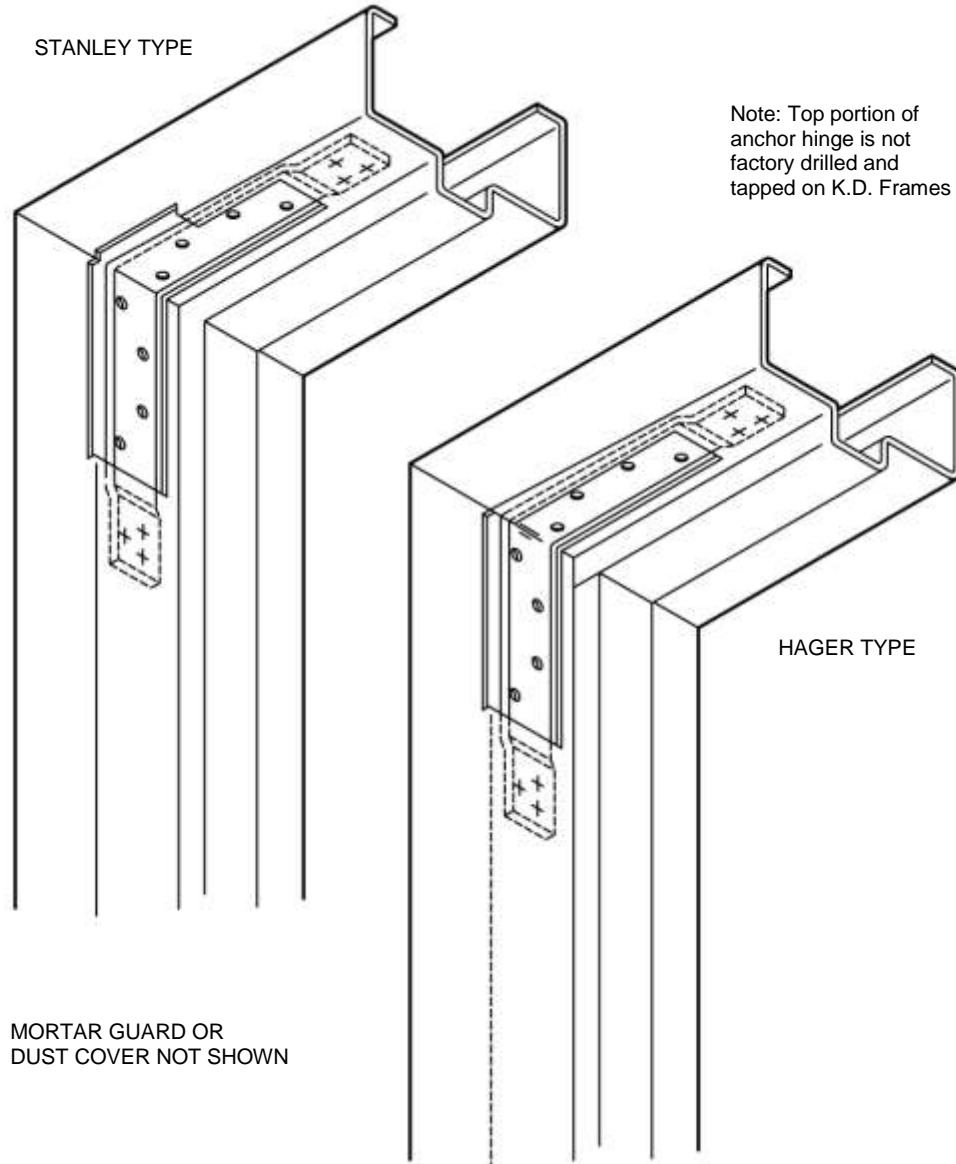
MORTAR GUARD OR
DUST COVER NOT SHOWN



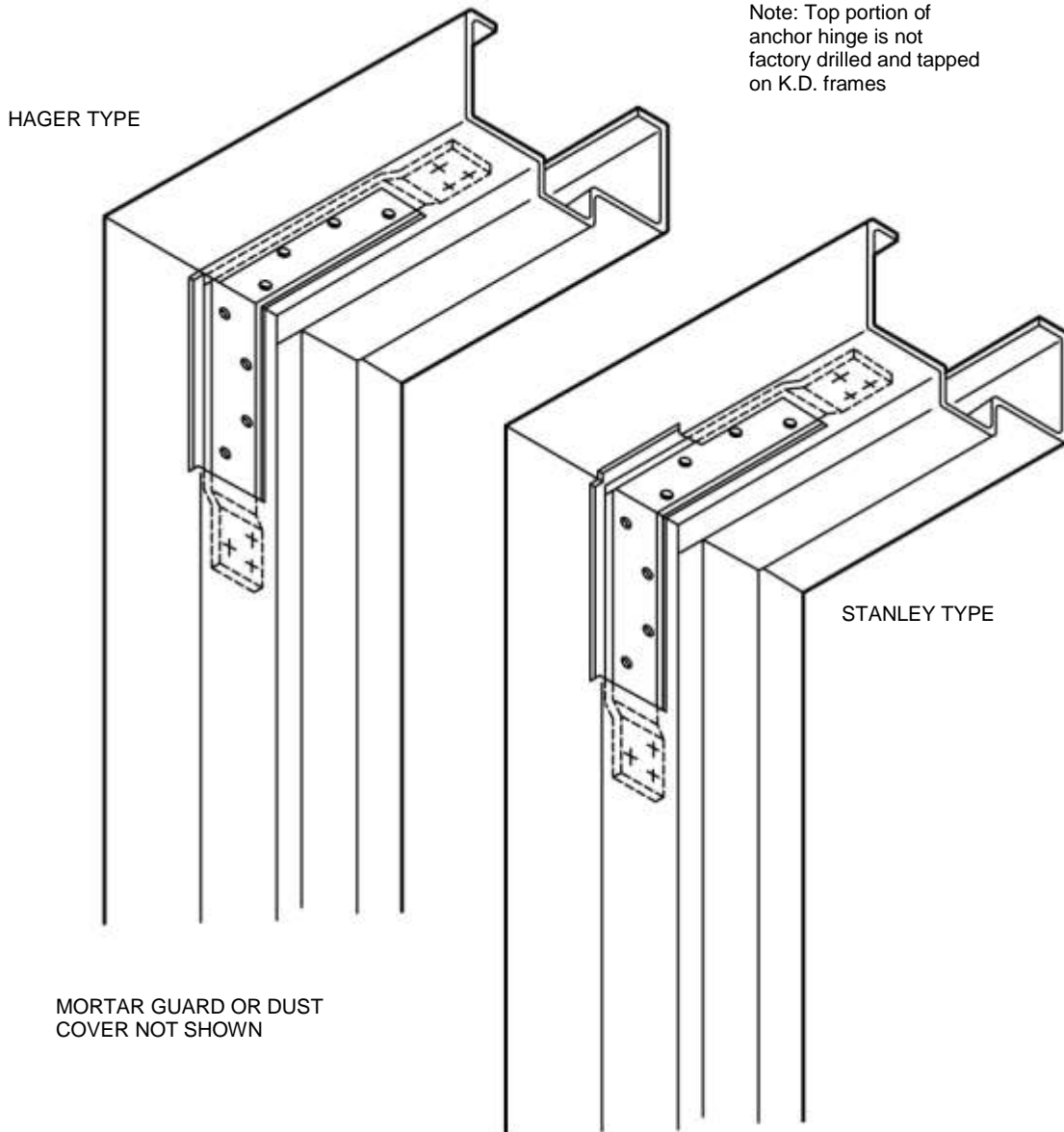
TYPICAL TOP PIVOT PREPARATION WITH
ABBREVIATED OFFSET REINFORCEMENT
SHIMMED FOR DEPTH AT HINGE JAMB END
AND SPOTWELDED TO HEAD

NOTE: Typical Bottom Pivot Preparation, where partial jamb mounting is required, is similar to DAP-3 Bottom Pivot prep shown on T.D. #185.

**ENGINEERING DETAILS for
ANCHOR HINGE Preparations (One-Piece)**



**ENGINEERING DETAILS for
ANCHOR HINGE Preparations (Two-Piece)**



**ENGINEERING DETAILS for
SPECIAL HINGE Reinforcements**

