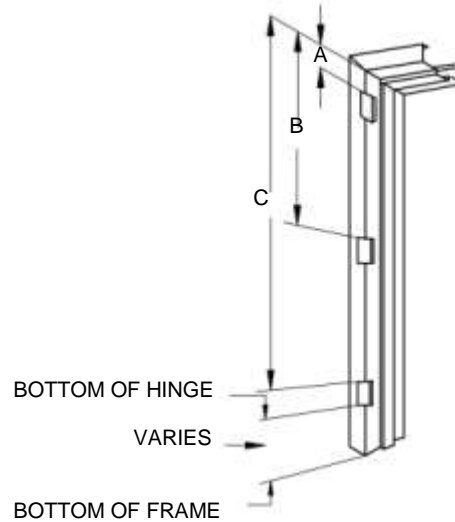
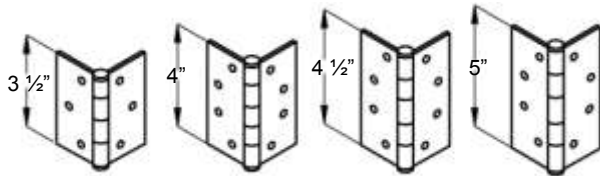


**TECHNICAL DATA – FRAMES**

**HARDWARE**

ENGINEERING DETAILS for

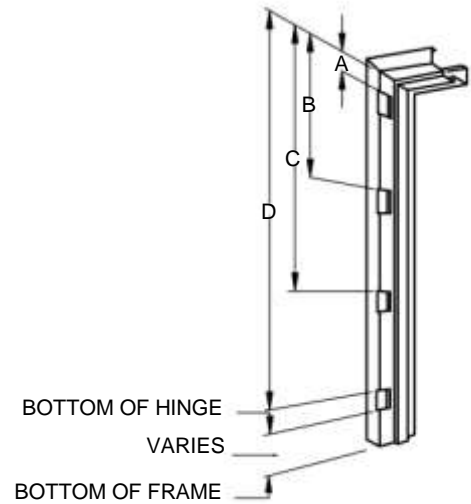
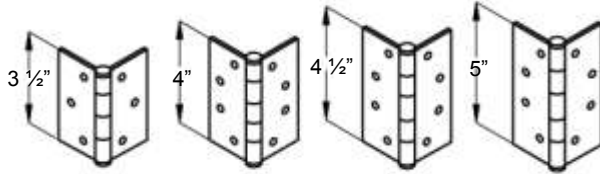
**STANDARD HINGE LOCATIONS FRAME — 1½ PAIR HINGES**



NOMINAL DOOR OPENING HEIGHT	ACTUAL DOOR OPENING DIMENSIONS		3 ½" HINGE			4" HINGE			4½" HINGE			5" HINGE		
	FROM	TO	A	B	C	A	B	C	A	B	C	A	S	C
6'-0"	5'-11"	6'-0-15/16"	5"	31-3/4"	58-1/2"	5"	31-1/2"	58"	5"	31 -1/4"	57 -1/2"	5"	31"	57"
6'-2"	6'-1"	6'-2-15/16"	5"	32-3/4"	60-1/2"	5"	32 -1/2"	60"	5"	32 -1/4"	59 -1/2"	5"	32"	59"
6'-4"	6'-3"	6'-4-15/16"	5"	33-3/4"	62-1/2"	5"	33 -1/2"	62"	5"	33 -1/4"	61 -1/2"	5"	33"	61"
6'-6"	6'-5"	6'-6-15/16"	5"	34-3/4"	64-1/2"	5"	34 -1/2"	64"	5"	34 -1/4"	63 -1/2"	5"	34"	63"
6'-8"	6'-7"	6'-8-15/16"	5"	35-3/4"	66-1/2"	5"	35 -1/2"	66"	5"	35 -1/4"	65 -1/2"	5"	35"	65"
6'-10"	6'-9"	6'-10-15/16"	5"	36-3/4"	68-1/2"	5"	36 -1/2"	68"	5"	36 -1/4"	67 -1/2"	5"	36"	67"
7'-0"	6'-11"	7'-0-15/16"	5"	37-3/4"	70-1/2"	5"	37-1/2"	70"	5"	37 -1/4"	69 -1/2"	5"	37"	69"
7'-2"	7'-1"	7'-2-15/16"	5"	38-3/4"	72-1/2"	5"	38 -1/2"	72"	5"	38 -1/4"	71 -1/2"	5"	38"	71"
7'-4"	7'-3"	7'-4-15/16"	5"	39-3/4"	74-1/2"	5"	39 -1/2"	74"	5"	39 -1/4"	73 -1/2"	5"	39"	73"
7'-6"	7'-5"	7'-6-15/16"	5"	40-3/4"	76-1/2"	5"	40 -1/2"	76"	5"	40 -1/4"	75 -1/2"	5"	40"	75"
7'-8"	7'-7"	7'-8-15/16"	5"	41-3/4"	78-1/2"	5"	41-1/2"	78"	5"	41 -1/4"	77 -1/2"	5"	41"	77"
7'-10"	7'-9"	7'-10-15/16"	5"	42-3/4"	80-1/2"	5"	42 -1/2"	80"	5"	42 -1/4"	79 -1/2"	5"	42"	79"
8'-0"	7'-11"	8'-0-15/16"	5"	43-3/4"	82-1/2"	5"	43 -1/2"	82"	5"	43 -1/4"	81 -1/2"	5"	43"	81"
8'-2"	8'-1"	8'-2-15/16"	5"	44-3/4"	84-1/2"	5"	44 -1/2"	84"	5"	44 -1/4"	83 -1/2"	5"	44"	83"
8'-4"	8'-3"	8'-4-15/16"	5"	45-3/4"	86-1/2"	5"	45 -1/2"	86"	5"	45 -1/4"	85 -1/2"	5"	45"	85"
8'-6"	8'-5"	8'-6-15/16"	5"	46-3/4"	88-1/2"	5"	46 -1/2"	88"	5"	46 -1/4"	87 -1/2"	5"	46"	87"
8'-8"	8'-7"	8'-8-15/16"	5"	47-3/4"	90-1/2"	5"	47 -1/2"	90"	5"	47 -1/4"	89 -1/2"	5"	47"	89"
8'-10"	8'-9"	8'-10-15/16"	5"	48-3/4"	92-1/2"	5"	48 -1/2"	92"	5"	48 -1/4"	91 -1/2"	5"	48"	91"
9'-0"	8'-11"	9'-0-15/16"	5"	49-3/4"	94-1/2"	5"	49 -1/2"	94"	5"	49 -1/4"	93 -1/2"	5"	49"	93"
9'-2"	9'-1"	9'-2-15/16"	5"	50-3/4"	96-1/2"	5"	50 -1/2"	96"	5"	50 -1/4"	95 -1/2"	5"	51"	95"
9'-4"	9'-3"	9'-4-15/16"	5"	51-3/4"	98-1/2"	5"	51-1/2"	98"	5"	51 -1/4"	97 -1/2"	5"	52"	97"
9'-6"	9'-5"	9'-6-15/16"	5"	52-3/4"	100-1/2"	5"	52 -1/2"	100"	5"	52 -1/4"	99 -1/2"	5"	53"	99"

# TECHNICAL DATA – FRAMES HARDWARE

## ENGINEERING DETAILS for STANDARD HINGE LOCATIONS FRAME – 2 PAIR HINGES



NOMINAL DOOR OPENING HEIGHT	ACTUAL DOOR OPENING DIMENSIONS		3 1/2" HINGE				4" HINGE				4 1/2" HINGE				5" HINGE			
	FROM	TO	A	B	C	D	A	B	C	D	A	B	C	D	A	B	C	D
6'-0"	5'-11"	6'-0-15/16"	5"	22-13/16"	40-5/8"	58-7/16"	5"	22-5/8"	40-1/4"	57-7/8"	5"	22-1/2"	40"	57-1/2"	5"	22-5/16"	39-5/8"	56-15/16"
6'-2"	6'-1"	6'-2-15/16"	5"	23-1/2"	42"	60-1/2"	5"	23-5/16"	41-5/8"	59-15/16"	5"	23-3/16"	41-3/8"	59-9/16"	5"	23"	41"	59"
6'-4"	6'-3"	6'-4-15/16"	5"	24-3/16"	43-3/8"	62-9/16"	5"	24"	43"	62"	5"	23-13/16"	42-5/8"	61-7/16"	5"	23-5/8"	42-1/4"	60-7/8"
6'-6"	6'-5"	6'-6-15/16"	5"	24-13/16"	44-5/8"	64-7/16"	5"	24-5/8"	44-1/4"	63-7/8"	5"	24-1/2"	44"	63-1/2"	5"	24-5/16"	43-5/8"	62-15/16"
6'-8"	6'-7"	6'-8-15/16"	5"	25-1/12"	46"	66-1/2"	5"	25-5/16"	45-5/8"	65-15/16"	5"	25-3/16"	45-3/8"	65-9/16"	5"	25"	45"	65"
6'-10"	6'-9"	6'-10-15/16"	5"	26-3/16"	47-3/8"	68-9/16"	5"	26"	47"	68"	5"	25-13/16"	46-5/8"	67-7/16"	5"	25-5/8"	46-1/4"	66-7/8"
7'-0"	6'-11"	7'-0-15/16"	5"	26-13/16"	48-5/8"	70-7/16"	5"	26-5/8"	48-1/4"	69-7/8"	5"	26-1/2"	48"	69-1/2"	5"	26-5/16"	47-5/8"	68-15/16"
7'-2"	7'-1"	7'-2-15/16"	5"	27-1/2"	50"	72-1/2"	5"	27-5/16"	49-5/8"	71-15/16"	5"	27-3/16"	49-3/8"	71-9/16"	5"	27"	49"	71"
7'-4"	7'-3"	7'-4-15/16"	5"	28-3/16"	51-3/8"	74-9/16"	5"	28"	51"	74"	5"	27-13/16"	50-5/8"	73-7/16"	5"	27-5/8"	50-1/4"	72-7/8"
7'-6"	7'-5"	7'-6-15/16"	5"	28-13/16"	52-5/8"	76-7/16"	5"	28-5/8"	52-1/4"	75-7/8"	5"	28-1/2"	52"	75-1/2"	5"	28-5/16"	51-5/8"	74-15/16"
7'-8"	7'-7"	7'-8-15/16"	5"	29-1/12"	54"	78-1/2"	5"	29-5/16"	53-5/8"	77-15/16"	5"	29-3/16"	53-3/8"	77-9/16"	5"	29"	53"	77"
7'-10"	7'-9"	7'-10-15/16"	5"	30-3/16"	55-3/8"	80-9/16"	5"	30"	55"	80"	5"	29-13/16"	54-5/8"	79-7/16"	5"	29-5/8"	54-1/4"	78-7/8"

# TECHNICAL DATA – FRAMES HARDWARE

## Cont'd Frame Hinge locations-2 Pair Hinges

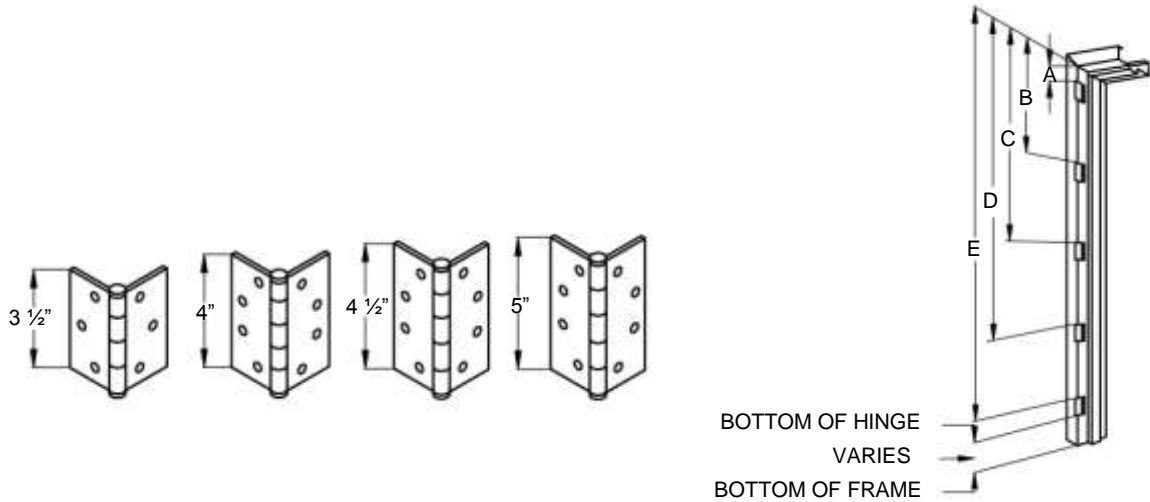
8'-0"	7'-11"	8'-0-15/16"	5"	30-13/16"	56-5/8"	82-7/16"	5"	30-5/8"	56-1/4"	81-7/8"	5"	30-1/2"	56"	81-1/2"	5"	30-5/16"	55-5/8"	80-15/16"
8'-2"	8'-1"	8'-2-15/16"	5"	31-1/2"	58"	84-1/2"	5"	31-5/16"	57-5/8"	83-15/16"	5"	31-3/16"	57-3/8"	83-9/16"	5"	31"	57"	83"
8'-4"	8'-3"	8'-4-15/16"	5"	32-3/16"	59-3/8"	86-9/16"	5"	32"	59"	86"	5"	31-13/16"	58-5/8"	85-7/16"	5"	31-5/8"	58-1/4"	84-7/8"
8'-6"	8'-5"	8'-6-15/16"	5"	32-13/16"	60-5/8"	88-7/16"	5"	32-5/8"	60-1/4"	87-7/8"	5"	32-1/2"	60"	87-1/2"	5"	32-5/16"	59-5/8"	86-15/16"
8'-8"	8'-7"	8'-8-15/16"	5"	33-1/12"	62"	90-1/2"	5"	33-5/16"	61-5/8"	89-15/16"	5"	33-3/16"	61-3/8"	89-9/16"	5"	33"	61"	89"
8'-10"	8'-9"	8'-10-15/16"	5"	34-3/16"	63-3/8"	92-9/16"	5"	34"	63"	92"	5"	33-13/16"	62-5/8"	91-7/16"	5"	33-5/8"	62-1/4"	90-7/8"
9'-0"	8'-11"	9'-0-15/16"	5"	34-13/16"	64-5/8"	94-7/16"	5"	34-5/8"	64-1/4"	93-7/8"	5"	34-1/2"	64"	93-1/2"	5"	34-5/16"	63-5/8"	92-15/16"
9'-2"	9'-1"	9'-2-15/16"	5"	35-1/2"	66"	96-1/2"	5"	35-5/16"	65-5/8"	95-15/16"	5"	35-3/16"	65-3/8"	95-9/16"	5"	35"	65"	95"
9'-4"	9'-3"	9'-4-15/16"	5"	36-3/16"	67-3/8"	98-9/16"	5"	36"	67"	98"	5"	35-13/16"	66-5/8"	97-7/16"	5"	35-5/8"	66-1/4"	96-7/8"
9'-6"	9'-5"	9'-6-15/16"	5"	36-13/16"	68-5/8"	100-7/16"	5"	36-5/8"	68-1/4"	99-7/8"	5"	36-1/2"	68"	99-1/2"	5"	36-5/16"	67-5/8"	98-15/16"
9'-8"	9'-7"	9'-8-15/16"									5"	37-3/16"	69-3/8"	101-9/16"	5"	37"	69"	101"
9'-10"	9'-9"	9'-10-15/16"									5"	37-13/16"	70-5/8"	103-7/16"	5"	37-5/8"	70-1/4"	102-7/8"
10'-0"	9'-11"	10'-0-15/16"									5"	38-1/2"	72"	105-1/2"	5"	38-5/16"	71-5/8"	104-15/16"

**TECHNICAL DATA – FRAMES**

**HARDWARE**

**ENGINEERING DETAILS for STANDARD HINGE LOCATIONS FRAME - 2**

**½ PAIR HINGES**

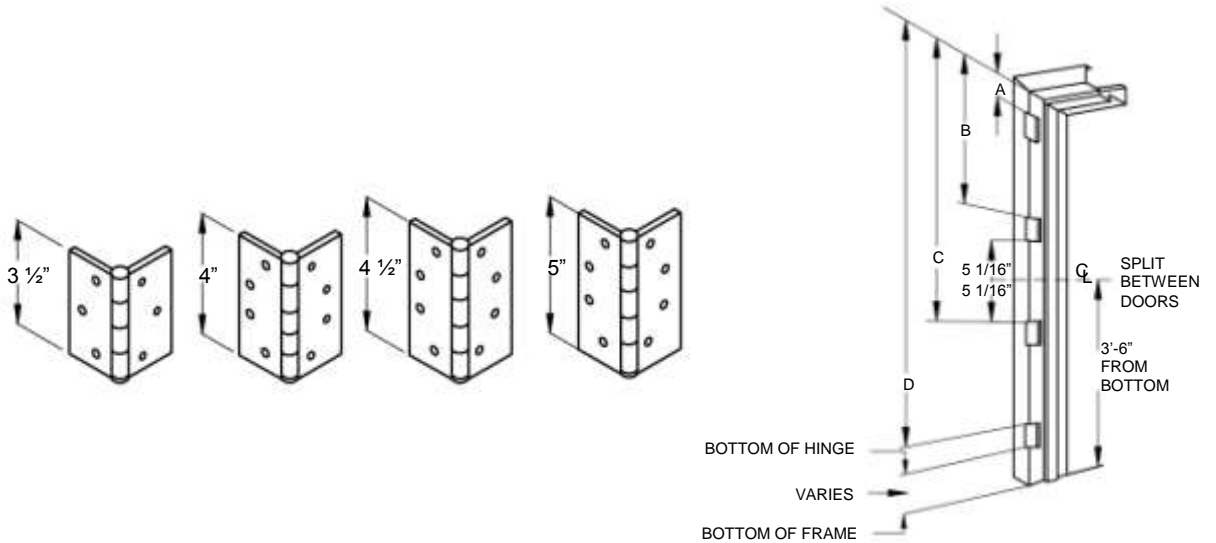


NOMINAL DOOR OPENING HEIGHT	ACTUAL DOOR OPENING DIMENSIONS		4 ½" HINGE					5" HINGE				
	FROM	TO	A	B	C	D	E	A	B	C	D	E
8'-0"	7'-11"	8'-0-15/16"	5"	24-1/8"	43-1/4"	62-3/8"	81-1/2"	5"	24"	43"	62"	81"
8'-2"	8'-1"	8'-2-15/16"	5"	24-5/8"	44-1/4"	63-7/8"	83-1/2"	5"	24-1/2"	44"	63-1/2"	83"
8'-4"	8'-3"	8'-4-15/16"	5"	25-1/8"	45-1/4"	65-3/8"	85-1/2"	5"	25"	45"	65"	85"
8'-6"	8'-5"	8'-6-15/16"	5"	25-5/8"	46-1/4"	66-7/8"	87-1/2"	5"	25-1/2"	46"	66-1/2"	87"
8'-8"	8'-7"	8'-8-15/16"	5"	26-1/8"	47-1/4"	68-3/8"	89-1/2"	5"	26"	47"	68"	89"
8'-10"	8'-9"	8'-10-15/16"	5"	26-5/8"	48-1/4"	69-7/8"	91-1/2"	5"	26-1/2"	48"	69-1/2"	91"
9'-0"	8'-11"	9'-0-15/16"	5"	27-1/8"	49-1/4"	71-3/8"	93-1/2"	5"	27"	49"	71"	93"
9'-2"	9'-1"	9'-2-15/16"	5"	27-5/8"	50-1/4"	72-7/8"	95-1/2"	5"	27-1/2"	50"	72-1/2"	95"
9'-4"	9'-3"	9'-4-15/16"	5"	28-1/8"	51-1/4"	74-3/8"	97-1/2"	5"	28"	51"	74"	97"
9'-6"	9'-5"	9'-6-15/16"	5"	28-5/8"	52-1/4"	75-7/8"	99-1/2"	5"	28-1/2"	52"	75-1/2"	99"
9'-8"	9'-7"	9'-8-15/16"	5"	29-1/8"	53-1/4"	77-3/8"	101-1/2"	5"	29"	53"	77"	101"
9'-10"	9'-9"	9'-10-15/16"	5"	29-5/8"	54-1/4"	78-7/8"	103-1/2"	5"	29-1/2"	54"	78-1/2"	103"
10'-0"	9'-11"	10'-0-15/16"	5"	30-1/8"	55-1/4"	80-3/8"	105-1/2"	5"	30"	55"	80"	105"
10'-2"	10'-1"	10'-2-15/16"	5"	30-5/8"	56-1/4"	81-7/8"	107-1/2"	5"	30-1/2"	56"	81-1/2"	107"
10'-4"	10'-3"	10'-4-15/16"	5"	31-1/8"	57-1/4"	83-3/8"	109-1/2"	5"	31"	57"	83"	109"
10'-6"	10'-5"	10'-6-15/16"	5"	31-5/8"	58-1/4"	84-7/8"	111-1/2"	5"	31-1/2"	58"	84-1/2"	111"
10'-8"	10'-7"	10'-8-15/16"	5"	32-1/8"	59-1/4"	86-3/8"	113-1/2"	5"	32"	59"	86"	113"
10'-10"	10'-9"	10'-10-15/16"	5"	32-5/8"	60-1/4"	87-7/8"	115-1/2"	5"	32-1/2"	60"	87-1/2"	115"
11'-0"	10'-11"	11'-0-15/16"	5"	33-1/8"	61-1/4"	89-3/8"	117-1/2"	5"	33"	61"	89"	117"
11'-2"	11'-1"	11'-2-15/16"	5"	33-5/8"	62-1/4"	90-7/8"	119-1/2"	5"	33-1/2"	62"	90-1/2"	119"
11'-4"	11'-3"	11'-4-15/16"	5"	34-1/8"	63-1/4"	92-3/8"	121-1/2"	5"	34"	63"	92"	121"
11'-6"	11'-5"	11'-6-15/16"	5"	34-5/8"	64-1/4"	93-7/8"	123-1/2"	5"	34-1/2"	64"	93-1/2"	123"
11'-8"	11'-7"	11'-8-15/16"	5"	35-1/8"	65-1/4"	95-3/8"	125-1/2"	5"	35"	65"	95"	125"
11'-10"	11'-9"	11'-10-15/16"	5"	35-5/8"	66-1/4"	96-7/8"	127-1/2"	5"	35-1/2"	66"	96-1/2"	127"
12'-0"	11'-11"	12'-0-15/16"	5"	36-1/8"	67-1/4"	98-3/8"	129-1/2"	5"	36"	67"	98"	129"

**TECHNICAL DATA – FRAMES**

**HARDWARE**

**ENGINEERING DETAILS for  
STANDARD HINGE LOCATIONS DUTCH FRAME - 2 PAIR HINGES**

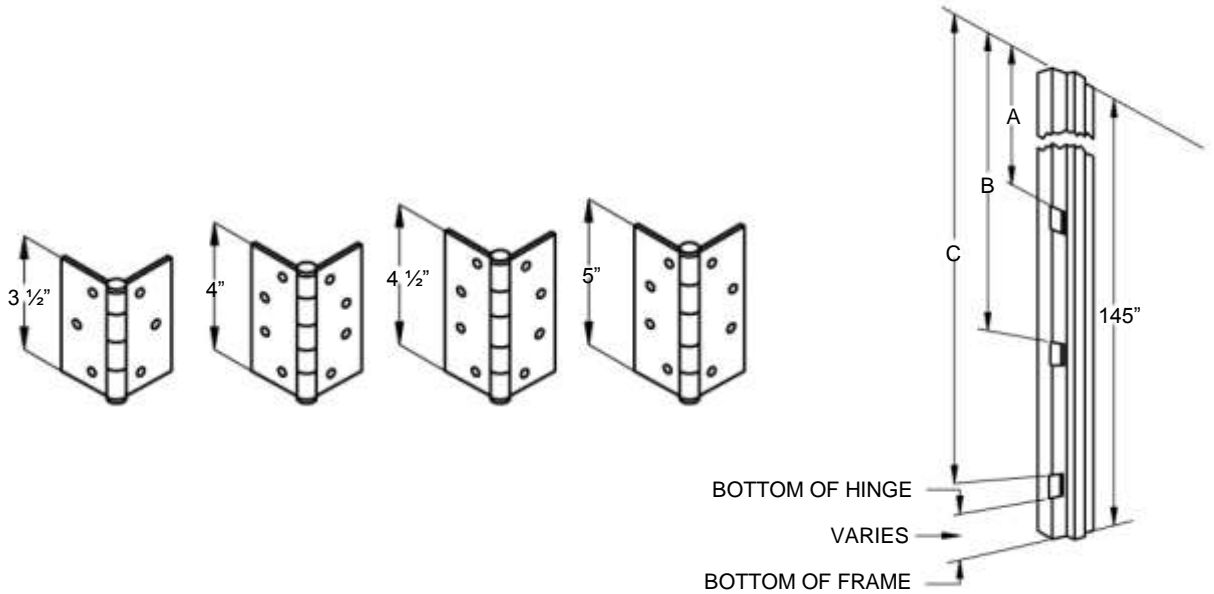


NOMINAL DOOR OPENING HEIGHT	ACTUAL DOOR OPENING DIMENSIONS		3 1/2" HINGE				4" HINGE				4 1/2" HINGE				5" HINGE			
	FROM	TO	A	B	C	D	A	B	C	D	A	B	C	D	A	B	C	D
6'-0"	5'-11"	6'-0-15/16"	5"	21-7/16"	35-1/16"	58-1/2"	5"	20-15/16"	35-1/16"	58"	5"	20-7/16"	35-1/16"	57-1/2"	5"	19-15/16"	35-1/16"	57"
6'-2"	6'-1"	6'-2-15/16"	5"	23-7/16"	37-1/16"	60-1/2"	5"	22-15/16"	37-1/16"	60"	5"	22-7/16"	37-1/16"	59-1/2"	5"	21-15/16"	37-1/16"	59"
6'-4"	6'-3"	6'-4-15/16"	5"	25-7/16"	39-1/16"	62-1/2"	5"	24-15/16"	39-1/16"	62"	5"	24-7/16"	39-1/16"	61-1/2"	5"	23-15/16"	39-1/16"	61"
6'-6"	6'-5"	6'-6-15/16"	5"	27-7/16"	41-1/16"	64-1/2"	5"	26-15/16"	41-1/16"	64"	5"	26-7/16"	41-1/16"	63-1/2"	5"	25-15/16"	41-1/16"	63"
6'-8"	6'-7"	6'-8-15/16"	5"	29-7/16"	43-1/16"	66-1/2"	5"	28-15/16"	43-1/16"	66"	5"	28-7/16"	43-1/16"	65-1/2"	5"	27-15/16"	43-1/16"	65"
6'-10"	6'-9"	6'-10-15/16"	5"	31-7/16"	45-1/16"	68-1/2"	5"	30-15/16"	45-1/16"	68"	5"	30-7/16"	45-1/16"	67-1/2"	5"	29-15/16"	45-1/16"	67"
7'-0"	6'-11"	7'-0-15/16"	5"	33-7/16"	47-1/16"	70-1/2"	5"	32-15/16"	47-1/16"	70"	5"	32-7/16"	47-1/16"	69-1/2"	5"	31-15/16"	47-1/16"	69"
7'-2"	7'-1"	7'-2-15/16"	5"	35-7/16"	49-1/16"	72-1/2"	5"	34-15/16"	49-1/16"	72"	5"	34-7/16"	49-1/16"	71-1/2"	5"	33-15/16"	49-1/16"	71"
7'-4"	7'-3"	7'-4-15/16"	5"	37-7/16"	51-1/16"	74-1/2"	5"	36-15/16"	51-1/16"	74"	5"	36-7/16"	51-1/16"	73-1/2"	5"	35-15/16"	51-1/16"	73"
7'-6"	7'-5"	7'-6-15/16"	5"	39-7/16"	53-1/16"	76-1/2"	5"	38-15/16"	53-1/16"	76"	5"	38-7/16"	53-1/16"	75-1/2"	5"	37-15/16"	53-1/16"	75"
7'-8"	7'-7"	7'-8-15/16"	5"	41-7/16"	55-1/16"	78-1/2"	5"	40-15/16"	55-1/16"	78"	5"	40-7/16"	55-1/16"	77-1/2"	5"	39-15/16"	55-1/16"	77"
7'-10"	7'-9"	7'-10-15/16"	5"	43-7/16"	57-1/16"	80-1/2"	5"	42-15/16"	57-1/16"	80"	5"	42-7/16"	57-1/16"	79-1/2"	5"	41-15/16"	57-1/16"	79"
8'-0"	7'-11"	8'-0-15/16"	5"	45-7/16"	59-1/16"	82-1/2"	5"	44-15/16"	59-1/16"	82"	5"	44-7/16"	59-1/16"	81-1/2"	5"	43-15/16"	59-1/16"	81"
8'-2"	8'-1"	8'-2-15/16"	5"	47-7/16"	61-1/16"	84-1/2"	5"	46-15/16"	61-1/16"	84"	5"	46-7/16"	61-1/16"	83-1/2"	5"	45-15/16"	61-1/16"	83"
8'-4"	8'-3"	8'-4-15/16"	5"	49-7/16"	63-1/16"	86-1/2"	5"	48-15/16"	63-1/16"	86"	5"	48-7/16"	63-1/16"	85-1/2"	5"	47-15/16"	63-1/16"	85"
8'-6"	8'-5"	8'-6-15/16"	5"	51-7/16"	65-1/16"	88-1/2"	5"	50-15/16"	65-1/16"	88"	5"	50-7/16"	65-1/16"	87-1/2"	5"	49-15/16"	65-1/16"	87"
8'-8"	8'-7"	8'-8-15/16"	5"	53-7/16"	67-1/16"	90-1/2"	5"	52-15/16"	67-1/16"	90"	5"	52-7/16"	67-1/16"	89-1/2"	5"	51-15/16"	67-1/16"	89"
8'-10"	8'-9"	8'-10-15/16"	5"	55-7/16"	69-1/16"	92-1/2"	5"	54-15/16"	69-1/16"	92"	5"	54-7/16"	69-1/16"	91-1/2"	5"	53-15/16"	69-1/16"	91"
9'-0"	8'-11"	9'-0-15/16"	5"	57-7/16"	71-1/16"	94-1/2"	5"	56-15/16"	71-1/16"	94"	5"	56-7/16"	71-1/16"	93-1/2"	5"	55-15/16"	71-1/16"	93"
9'-2"	9'-1"	9'-2-15/16"	5"	59-7/16"	73-1/16"	96-1/2"	5"	58-15/16"	73-1/16"	96"	5"	58-7/16"	73-1/16"	95-1/2"	5"	57-15/16"	73-1/16"	95"
9'-4"	9'-3"	9'-4-15/16"	5"	61-7/16"	75-1/16"	98-1/2"	5"	60-15/16"	75-1/16"	98"	5"	60-7/16"	75-1/16"	97-1/2"	5"	59-15/16"	75-1/16"	97"
9'-6"	9'-5"	9'-6-15/16"	5"	63-7/16"	77-1/16"	100-1/2"	5"	62-15/16"	77-1/16"	100"	5"	62-7/16"	77-1/16"	99-1/2"	5"	61-15/16"	77-1/16"	99"

**TECHNICAL DATA – STICKS**

**HARDWARE**

**ENGINEERING DETAILS for  
STANDARD HINGE LOCATIONS STICKS - 1½ PAIR HINGES**

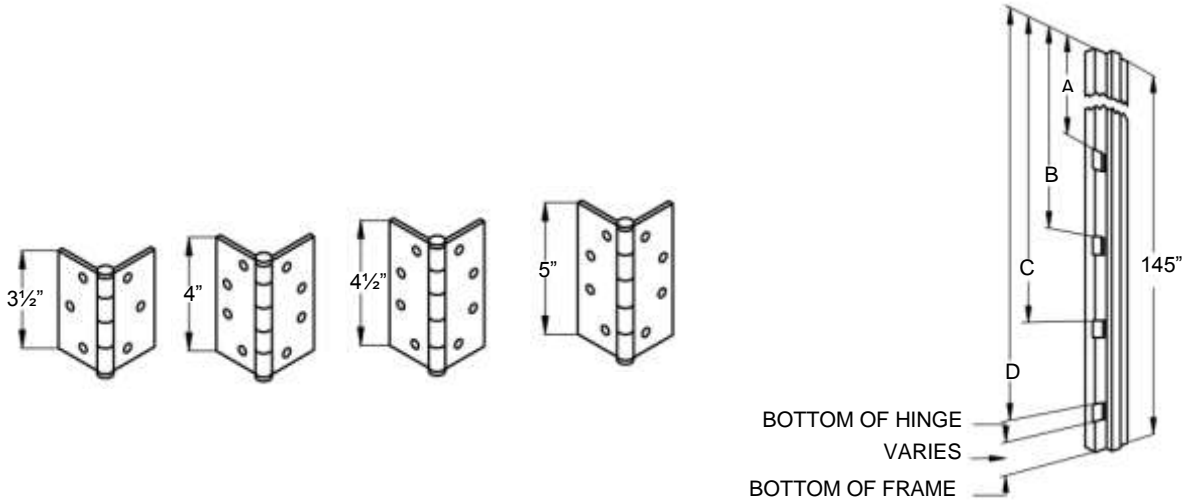


NOMINAL DOOR OPENING HEIGHT	ACTUAL DOOR OPENING DIMENSIONS		3½" HINGE			4" HINGE			4½" HINGE			5" HINGE		
	From	To	A	B	C	A	B	C	A	B	C	A	B	C
6'-0"	5'-11"	6'-0-15/16"	78"	104-3/4"	131-1/2"	78"	104-1/2"	131"	78"	104-1/4"	130-1/2"	78"	104"	130"
6'-2"	6'-1"	6'-2-15/16"	76"	103-3/4"	131-1/2"	76"	103-1/2"	131"	76"	103-1/4"	130-1/2"	76"	103"	130"
6'-4"	6'-3"	6'-4-15/16"	74"	102-3/4"	131-1/2"	74"	102-1/2"	131"	74"	102-1/4"	130-1/2"	74"	102"	130"
6'-6"	6'-5"	6'-6-15/16"	72"	101-3/4"	131-1/2"	72"	101-1/2"	131"	72"	101-1/4"	130-1/2"	72"	101"	130"
6'-8"	6'-7"	6'-8-15/16"	70"	100-3/4"	131-1/2"	70"	100-1/2"	131"	70"	100-1/4"	130-1/2"	70"	100"	130"
6'-10"	6'-9"	6'-10-15/16"	68"	99-3/4"	131-1/2"	68"	99-1/2"	131"	68"	99-1/4"	130-1/2"	68"	99"	130"
7'-0"	6'-11"	7'-0-15/16"	66"	98-3/4"	131-1/2"	66"	98-1/2"	131"	66"	98-1/4"	130-1/2"	66"	98"	130"
7'-2"	7'-1"	7'-2-15/16"	64"	97-3/4"	131-1/2"	64"	97-1/2"	131"	64"	97-1/4"	130-1/2"	64"	97"	130"
7'-4"	7'-3"	7'-4-15/16"	62"	96-3/4"	131-1/2"	62"	96-1/2"	131"	62"	96-1/4"	130-1/2"	62"	96"	130"
7'-6"	7'-5"	7'-6-15/16"	60"	95-3/4"	131-1/2"	60"	95-1/2"	131"	60"	95-1/4"	130-1/2"	60"	95"	130"
7'-8"	7'-7"	7'-8-15/16"	58"	94-3/4"	131-1/2"	58"	94-1/2"	131"	58"	94-1/4"	130-1/2"	58"	94"	130"
7'-10"	7'-9"	7'-10-15/16"	56"	93-3/4"	131-1/2"	56"	93-1/2"	131"	56"	93-1/4"	130-1/2"	56"	93"	130"
8'-0"	7'-11"	8'-0-15/16"	54"	92-3/4"	131-1/2"	54"	92-1/2"	131"	54"	92-1/4"	130-1/2"	54"	92"	130"
8'-2"	8'-1"	8'-2-15/16"	52"	91-3/4"	131-1/2"	52"	91-1/2"	131"	52"	91-1/4"	130-1/2"	52"	91"	130"
8'-4"	8'-3"	8'-4-15/16"	50"	90-3/4"	131-1/2"	50"	90-1/2"	131"	50"	90-1/4"	130-1/2"	50"	90"	130"
8'-6"	8'-5"	8'-6-15/16"	48"	89-3/4"	131-1/2"	48"	89-1/2"	131"	48"	89-1/4"	130-1/2"	48"	89"	130"
8'-8"	8'-7"	8'-8-15/16"	46"	88-3/4"	131-1/2"	46"	88-1/2"	131"	46"	88-1/4"	130-1/2"	46"	88"	130"
8'-10"	8'-9"	8'-10-15/16"	44"	87-3/4"	131-1/2"	44"	87-1/2"	131"	44"	87-1/4"	130-1/2"	44"	87"	130"
9'-0"	8'-11"	9'-0-15/16"	42"	86-3/4"	131-1/2"	42"	86-1/2"	131"	42"	86-1/4"	130-1/2"	42"	86"	130"
9'-2"	9'-1"	9'-2-15/16"	40"	85-3/4"	131-1/2"	40"	85-1/2"	131"	40"	85-1/4"	130-1/2"	40"	85"	130"
9'-4"	9'-3"	9'-4-15/16"	38"	84-3/4"	131-1/2"	38"	84-1/2"	131"	38"	84-1/4"	130-1/2"	38"	84"	130"
9'-6"	9'-5"	9'-6-15/16"	36"	83-3/4"	131-1/2"	36"	83-1/2"	131"	36"	83-1/4"	130-1/2"	36"	83"	130"

**TECHNICAL DATA – STICKS**

**HARDWARE**

**ENGINEERING DETAILS for  
STANDARD HINGE LOCATIONS STICKS - 2 PAIR HINGES**



NOMINAL DOOR OPENING HEIGHT	ACTUAL DOOR OPENING DIMENSIONS		31/2" HINGE				4" HINGE				4 1/2" HINGE				5" HINGE			
	FROM	TO	A	B	C	D	A	B	C	D	A	B	C	D	A	B	C	D
6'-0"	5'-11"	6'-0-15/16"	78"	95-13/16"	113-5/8"	131-7/16"	78"	95-5/8"	113-1/4"	130-7/8"	78"	95-1/2"	113"	130-1/2"	78"	95-5/16"	112-5/8"	129-15/16"
6'-2"	6'-1"	6'-2-15/16"	76"	94-1/2"	113"	131-1/2"	76"	94-5/16"	112-5/8"	130-15/16"	76"	94-3/16"	112-3/8"	130-9/16"	76"	94"	112"	130"
6'-4"	6'-3"	6'-4-15/16"	74"	93-3/16"	112-3/8"	131-9/16"	74"	93"	112"	131"	74"	92-13/16"	111-5/8"	130-7/16"	74"	92-5/8"	111-1/4"	129-7/8"
6'-6"	6'-5"	6'-6-15/16"	72"	91-3/16"	111-5/8"	131-7/16"	72"	91-5/8"	111-1/4"	130-7/8"	72"	91-1/2"	111"	130-1/2"	72"	91-5/16"	110-5/8"	129-15/16"
6'-8"	6'-7"	6'-8-15/16"	70"	90-1/2"	111"	131-1/2"	70"	90-5/16"	110-5/8"	130-15/16"	70"	90-3/16"	110-3/8"	130-9/16"	70"	90"	110"	130"
6'-10"	6'-9"	6'-10-15/16"	68"	89-3/16"	110-3/8"	131-9/16"	68"	89"	110"	131"	68"	88-13/16"	109-5/8"	130-7/16"	68"	88-5/8"	109-1/4"	129-7/8"
7'-0"	6'-11"	7'-0-15/16"	66"	87-3/16"	109-5/8"	131-7/16"	66"	87-5/8"	109-1/4"	130-7/8"	66"	87-1/2"	109"	130-1/2"	66"	87-5/16"	108-5/8"	129-15/16"
7'-2"	7'-1"	7'-2-15/16"	64"	86-1/2"	109"	131-1/2"	64"	86-5/16"	108-5/8"	130-15/16"	64"	86-3/16"	108-3/8"	130-9/16"	64"	86"	108"	130"
7'-4"	7'-3"	7'-4-15/16"	62"	85-3/16"	108-3/8"	131-9/16"	62"	85"	108"	131"	62"	84-13/16"	107-5/8"	130-7/16"	62"	84-5/8"	107-1/4"	129-7/8"
7'-6"	7'-5"	7'-6-15/16"	60"	83-3/16"	107-5/8"	131-7/16"	60"	83-5/8"	107-1/4"	130-7/8"	60"	83-1/2"	107"	130-1/2"	60"	83-5/16"	106-5/8"	129-15/16"
7'-8"	7'-7"	7'-8-15/16"	58"	82-1/2"	107"	131-1/2"	58"	82-5/16"	106-5/8"	130-15/16"	58"	82-3/16"	106-3/8"	130-9/16"	58"	82"	106"	130"

# TECHNICAL DATA – STICKS

# HARDWARE

**TABLE CON'D. STICKS 2 PAIR HINGES**

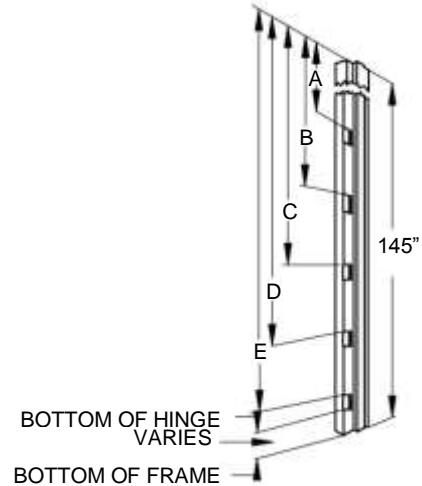
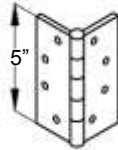
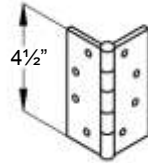
7'-10"	7'-9"	7'-10-15/16"	56"	81-3/16"	106-3/8"	131-9/16"	56"	81"	106"	131"	56"	80-13/16"	105-5/8"	130-7/16"	56"	80-5/8"	105-1/4"	129-7/8"
8'-0"	7'-11"	8'-0-15/16"	54"	79-13/16"	105-5/8"	131-7/16"	54"	79-5/8"	105-1/4"	130-7/8"	54"	79-1/2"	105"	130-1/2"	54"	79-5/16"	104-5/8"	129-15/16"
8'-2"	8'-1"	8'-2-15/16"	52"	78-1/2"	105"	131-1/2"	52"	78-5/16"	104-5/8"	130-15/16"	52"	78-3/16"	104-3/8"	130-9/16"	52"	78"	104"	130"
8'-4"	8'-3"	8'-4-15/16"	50"	77-3/16"	104-3/8"	131-9/16"	50"	77"	104"	131"	50"	76-13/16"	103-5/8"	130-7/16"	50"	76-5/8"	103-1/4"	129-7/8"
8'-6"	8'-5"	8'-6-15/16"	48"	75-13/16"	103-5/8"	131-7/16"	48"	75-5/8"	103-1/4"	130-7/8"	48"	75-1/2"	103"	130-1/2"	48"	75-5/16"	102-5/8"	129-15/16"
8'-8"	8'-7"	8'-8-15/16"	46"	74-1/2"	103"	131-1/2"	46"	74-5/16"	102-5/8"	130-15/16"	46"	74-3/16"	102-3/8"	130-9/16"	46"	74"	102"	130"
8'-10"	8'-9"	8'-10-15/16"	44"	73-3/16"	102-3/8"	131-9/16"	44"	73"	102"	131"	44"	72-13/16"	101-5/8"	130-7/16"	44"	72-5/8"	101-1/4"	129-7/8"
9'-0"	8'-11"	9'-0-15/16"	42"	71-13/16"	101-5/8"	131-7/16"	42"	71-5/8"	101-1/4"	130-7/8"	42"	71-1/2"	101"	130-1/2"	42"	71-5/16"	100-5/8"	129-15/16"
9'-2"	9'-1"	9'-2-15/16"	40"	70-1/2"	101"	131-1/2"	40"	70-5/16"	100-5/8"	130-15/16"	40"	70-3/16"	100-3/8"	130-9/16"	40"	70"	100"	130"
9'-4"	9'-3"	9'-4-15/16"	38"	69-3/16"	100-3/8"	131-9/16"	38"	69"	100"	131"	38"	68-13/16"	99-5/8"	130-7/16"	38"	68-5/8"	99-1/4"	129-7/8"
9'-6"	9'-5"	9'-6-15/16"	36"	67-13/16"	99-5/8"	131-7/16"	36"	67-5/8"	99-1/4"	130-7/8"	36"	67-1/2"	99"	130-1/2"	36"	67-5/16"	98-5/8"	129-15/16"
9'-8"	9'-7"	9'-8-15/16"	34"	66-1/2"	99"	131-1/2"	34"	66-5/16"	98-5/8"	130-15/16"	34"	66-3/16"	98-3/8"	130-9/16"	34"	66"	98"	30"
9'-10"	9'-9"	9'-10-15/16"	32"	65-3/16"	98-3/8"	131-9/16"	32"	65"	98"	131"	32"	64-13/16"	97-5/8"	130-7/16"	32"	64-5/8"	97-1/4"	129-7/8"
10'-0"	9'-11"	10'-0-15/16"	30"	63-13/16"	97-5/8"	131-7/16"	30"	63-5/8"	97-1/4"	130-7/8"	30"	63-1/2"	97"	130-1/2"	30"	63-5/16"	96-5/8"	129-15/16"



**TECHNICAL DATA – STICKS**

**HARDWARE**

**ENGINEERING DETAILS for  
STANDARD HINGE LOCATIONS STICKS - 2 1/2" PAIR HINGES**



NOMINAL DOOR OPENING HEIGHT	ACTUAL DOOR OPENING DIMENSIONS		4 1/2" HINGE					5" HINGE				
	FROM	TO	A	B	C	D	E	A	B	C	D	E
8'-0"	7'-11"	8'-0-15/16"	54"	73-1/8"	92-1/4"	111-3/8"	130-1/2"	54"	73"	92"	111"	130"
8'-2"	8'-1"	8'-2-15/16"	52"	71-5/8"	91-1/4"	110-7/8"	130-1/2"	52"	71 -1/2"	91"	110-1/2"	130"
8'-4"	8'-3"	8'-4-15/16"	50"	70-1/8"	90-1/4"	110-3/8"	130-1/2"	50"	70"	90"	110"	130"
8'-6"	8'-5"	8'-6-15/16"	48"	68-5/8"	89-1/4"	109-7/8"	130-1/2"	48"	68-1/2"	89"	109-1/2"	130"
8'-8"	8'-7"	8'-8-15/16"	46"	67-1/8"	88-1/4"	109-3/8"	139-1/2"	46"	67"	88"	109"	130"
8'-10"	8'-9"	8'-10-15/16"	44"	65-5/8"	87-1/4"	108-7/8"	130-1/2"	44"	65-1/2"	87"	108-1/2"	130"
9'-0"	8'-11"	9'-0-15/16"	42"	64-1/8"	86-1/4"	108-3/8"	130-1/2"	42"	64"	86"	108"	130"
9'-2"	9'-1"	9'-2-15/16"	40"	62-5/8"	85-1/4"	107-7/8"	130-1/2"	40"	62-1/2"	85"	107-1/2"	130"
9'-4"	9'-3"	9'-4-15/16"	38"	61-1/8"	84-1/4"	107-3/8"	108-3/8"	38"	61"	84"	107"	130"
9'-6"	9'-5"	9'-6-15/16"	36"	59-5/8"	83-1/4"	106-7/8"	130-1/2"	36"	59-1/2"	83"	106-1/2"	130"
9'-8"	9'-7"	9'-8-15/16"	34"	58-1/8"	82-1/4"	106-3/8"	130-1/2"	34"	58"	82"	106"	130"
9'-10"	9'-9"	9'-10-15/16"	32"	56-5/8"	81-1/4"	105-7/8"	130-1/2"	32"	56-1/2"	81"	105-1/2"	130"
10'-0"	9'-11"	10'-0-15/16"	30"	55-1/8"	80-1/4"	105-3/8"	130-1/2"	30"	55"	80"	105"	130"
10'-2"	10'-1"	10'-2-15/16"	28"	53-5/8"	79-1/4"	104-7/8"	130-1/2"	28"	53-1/2"	79"	104-1/2"	130"
10'-4"	10'-3"	10'-4-15/16"	26"	52-1/8"	78-1/4"	104-3/8"	130-1/2"	26"	52"	78"	104"	130"
10'-6"	10'-5"	10'-6-15/16"	24"	50-5/8"	77-1/4"	103-7/8"	130-1/2"	24"	50-1/2"	77"	103-1/2"	130"
10'-8"	10'-7"	10'-8-15/16"	22"	49-1/8"	76-1/4"	103-3/8"	130-1/2"	22"	49"	76"	103"	130"
10'-10"	10'-9"	10'-10-15/16"	20"	47-5/8"	75-1/4"	102-7/8"	130-1/2"	20"	47-1/2"	75"	102-1/2"	130"
11'-0"	10'-11"	11'-0-15/16"	18"	46-1/8"	74-1/4"	102-3/8"	130-1/2"	18"	46"	74"	102"	130"
11'-2"	11'-1"	11'-2-15/16"	16"	44-5/8"	73-1/4"	101-7/8"	130-1/2"	16"	44-1/2"	73"	101-1/2"	130"
11'-4"	11'-3"	11'-4-5/16"	14"	43-1/8"	72-1/4"	101-3/8"	130-1/2"	14"	43"	72"	101"	130"
11'-6"	11'-5"	11'-6-15/16"	12"	41-5/8"	71-1/4"	100-7/8"	130-1/2"	12"	41-1/2"	71"	100-1/2"	130"
11'-8"	11'-7"	11'-8-15/16"	10"	40-1/8"	70-1/4"	100-3/8"	130-1/2"	10"	40"	70"	100"	130"
11'-10"	11'-9"	11'-10-15/16"	8"	38-5/8"	69-1/4"	99-7/8"	130-1/2"	8"	38-1/2"	69"	99-1/2"	130"
12'-0"	11'-11"	12'-0-15/16"	6"	37-1/8"	68-1/4"	99-3/8"	130-1/2"	6"	37"	68"	99"	130"