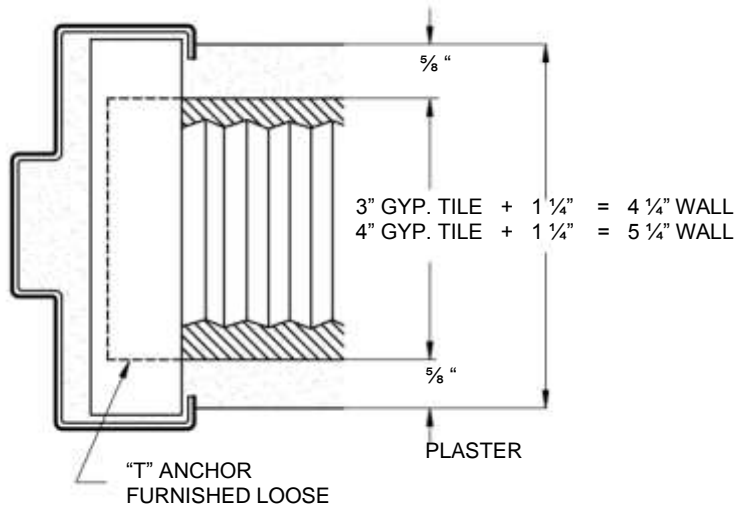


TECHNICAL DATA – FRAMES

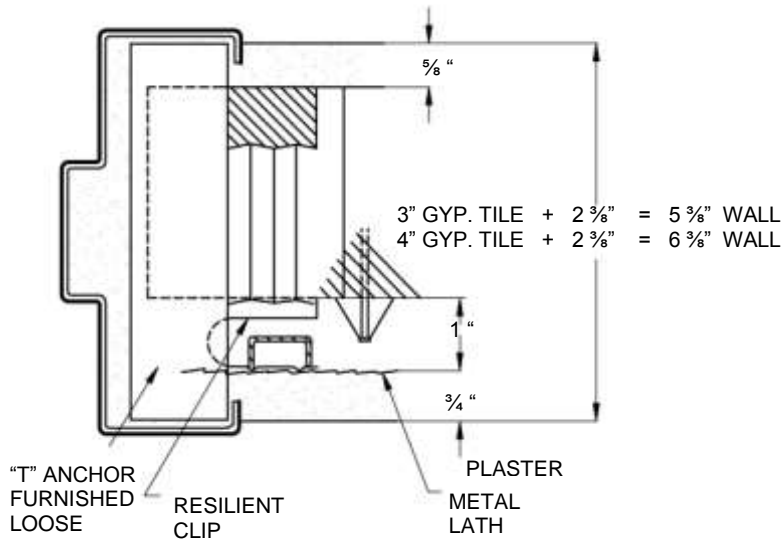
WALL CONDITIONS

**ENGINEERING DETAILS FOR
GYPSUM TILE WALL CONSTRUCTION**

GYPSUM TILE CONSTRUCTION FRAME
KEYED-IN TO PLASTER



GYPSUM TILE CONSTRUCTION
METAL LATH WITH RESILIENT CLIPS
FRAME KEYED-IN TO PLASTER



**ENGINEERING DETAILS for
GYPSUM TILE WALL CONSTRUCTION**

GYPSUM TILE CONSTRUCTION GYPSUM
LATH WITH RESILIENT CLIPS FRAME KEYED-
IN TO PLASTER

