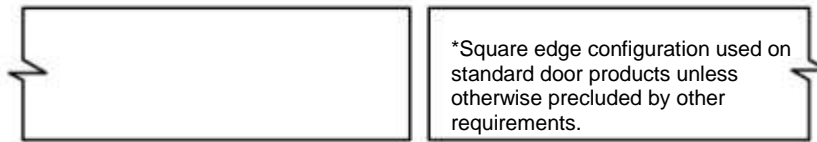


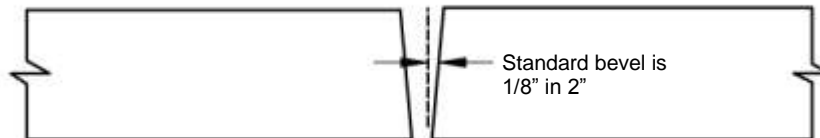
**ENGINEERING DETAILS for
DOOR EDGE and MEETING STILES**

Note: Edge designs, shown as pairs of doors may in some cases be used in single door applications. Dimensions shown are standard for the application. Variations to suit the design conditions are available.

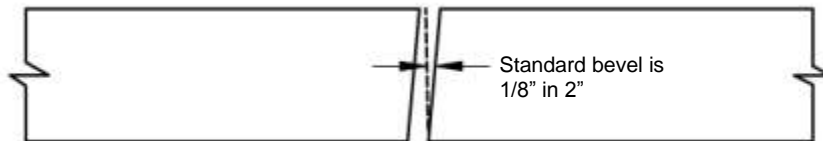
SQUARE EDGE*



VEE (OPPOSING) BEVELS

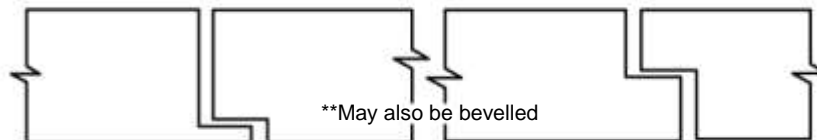


PARALLEL BEVELS

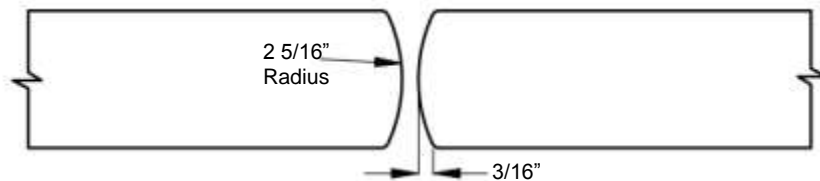


RABBETED (OFFSET)**

RABBETED (EQUAL)**

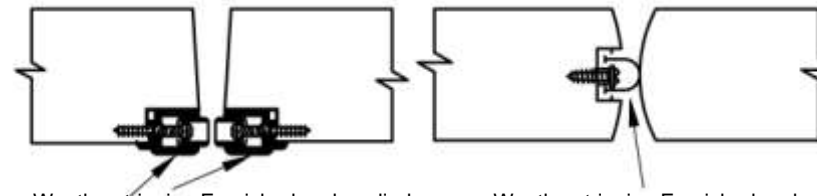


RADIUS (BULL NOSE)



TYPICAL PREPARATION FOR SEMI - MORTISED WEATHERSTRIPPING.

TYPICAL PREPARATION FOR FULLY MORTISED WEATHERSTRIPPING.

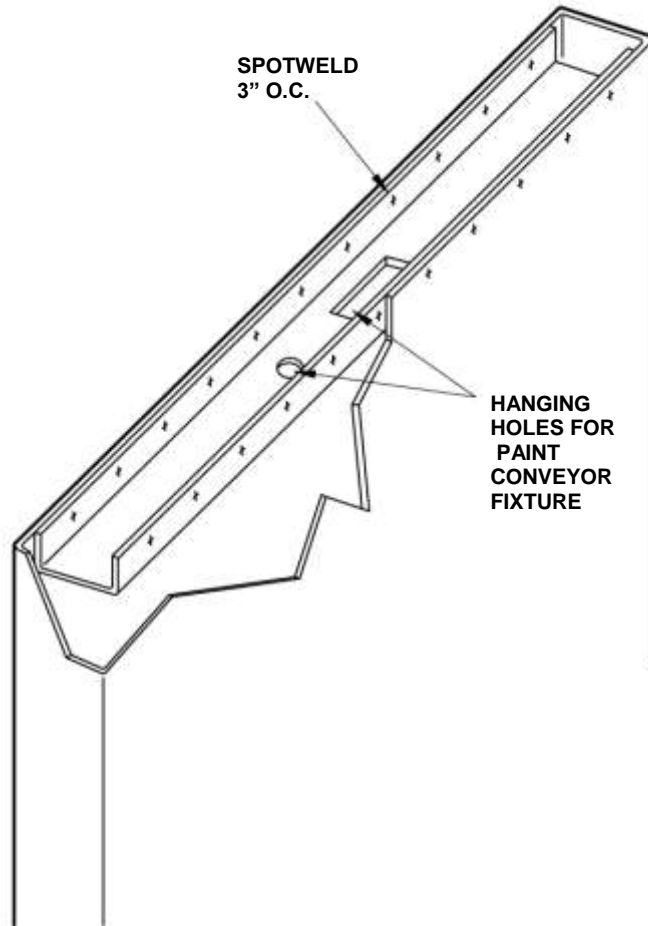
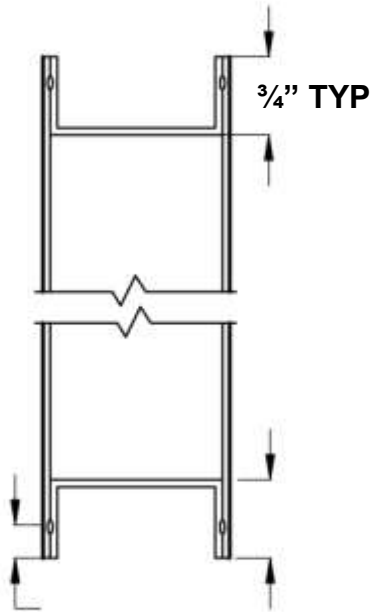


Weatherstripping Furnished and applied by others.

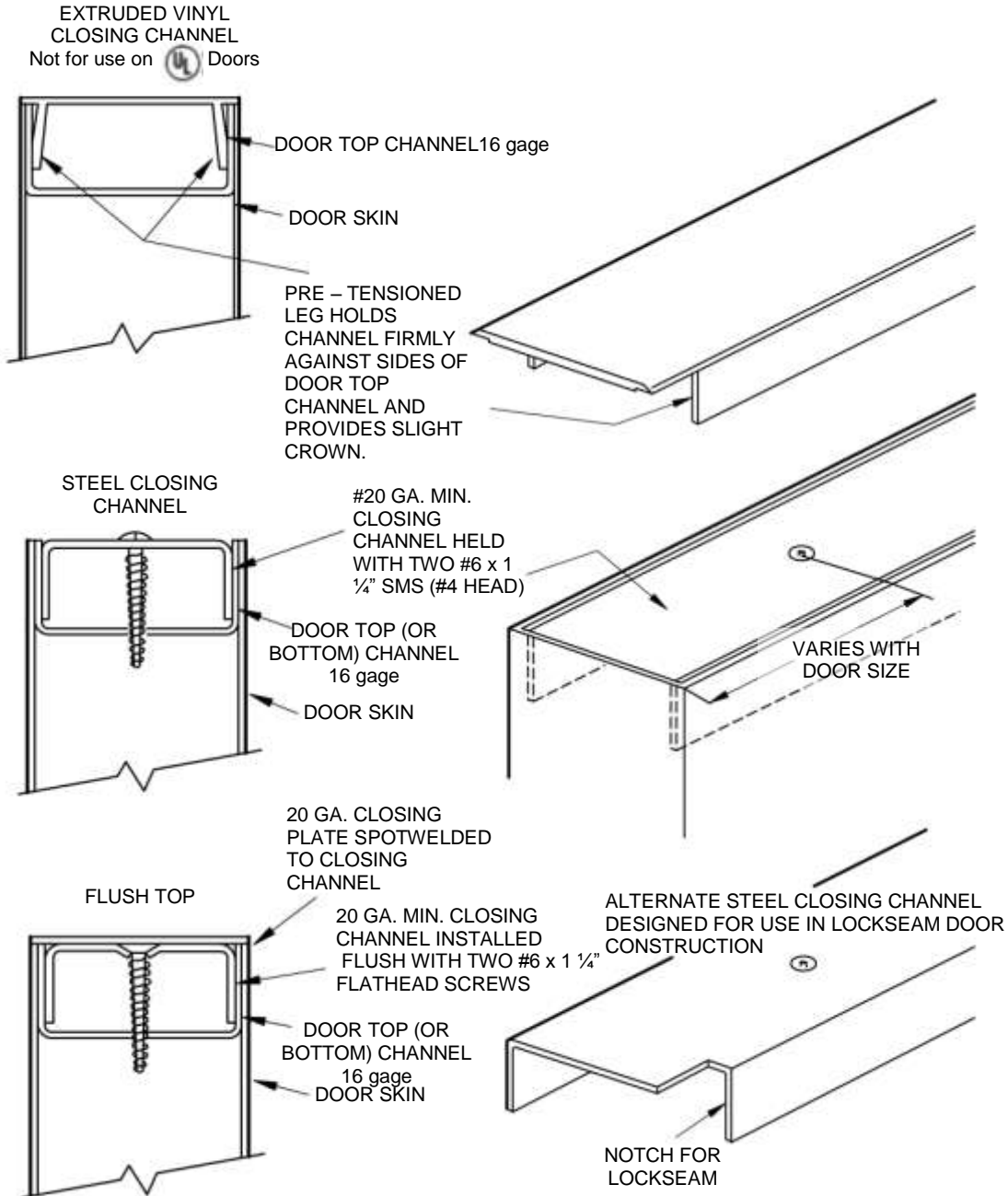
Weatherstripping Furnished and applied by others.

**ENGINEERING DETAILS for
Standard TOP and BOTTOM CHANNEL - 16 GA.**

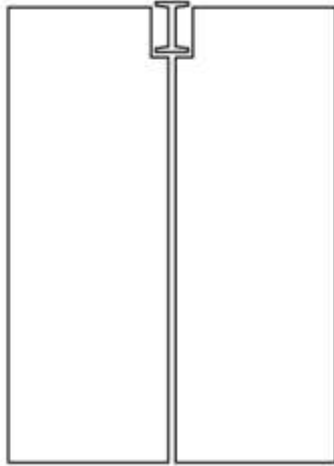
**TOP AND BOTTOM
CHANNELS -16 GA.**



**ENGINEERING DETAILS for
TOP and BOTTOM CLOSING CHANNEL**

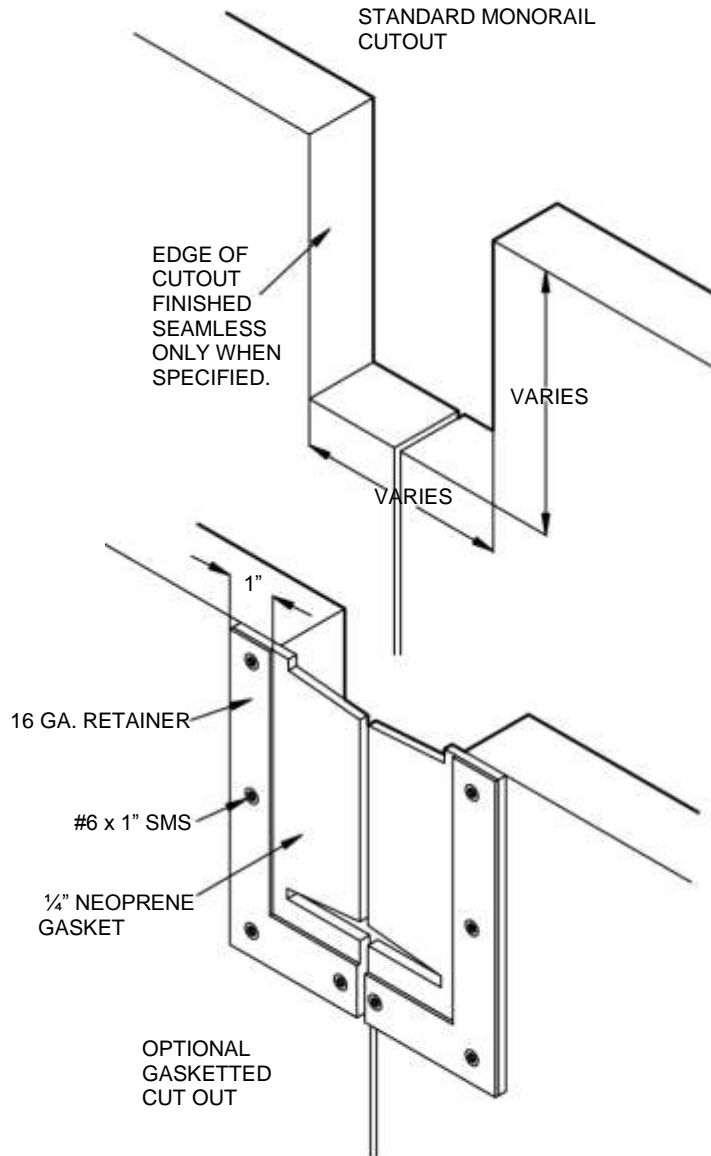


**ENGINEERING DETAILS for
MONORAIL CUTOUT**

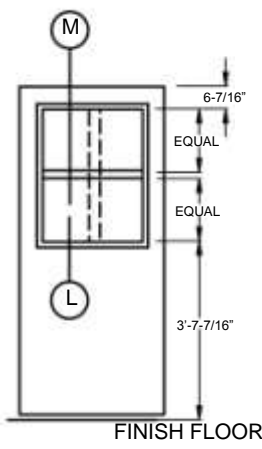
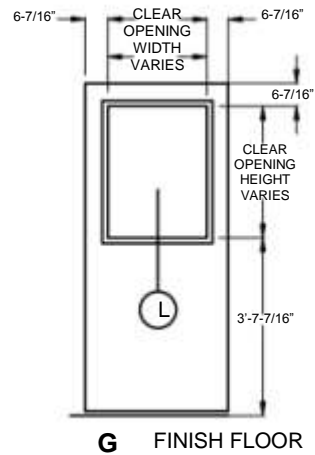
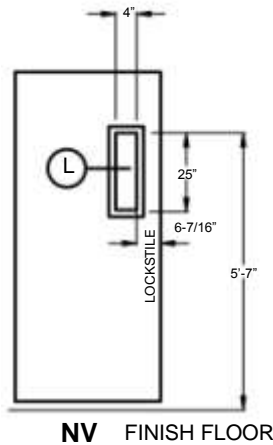
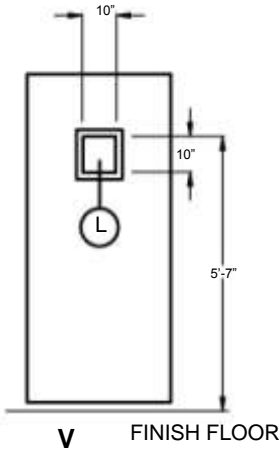


Note: Gasket material supplied by pioneer, only when required, as an untrimmed piece of 1/4" neoprene. Fitting, cutting, trimming and installation of the gasket by others. Retainer, screws and neoprene shipped loose.

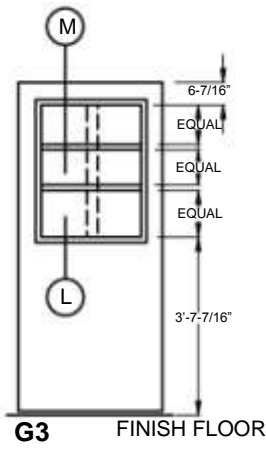
Dimensions and sizes shown are standard for this feature. Variations to suite designed conditions are available.



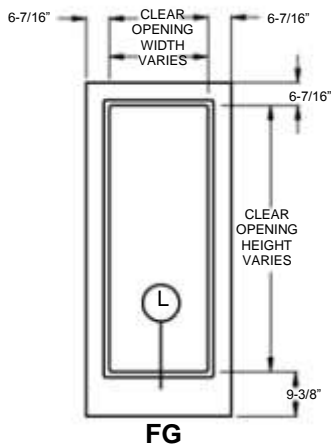
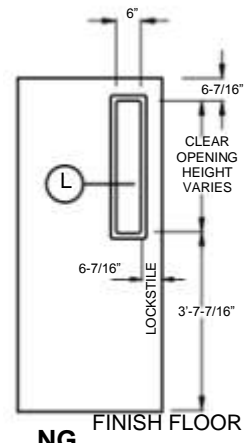
ELEVATIONS



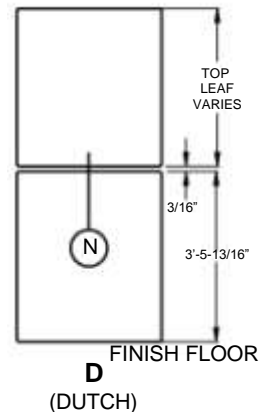
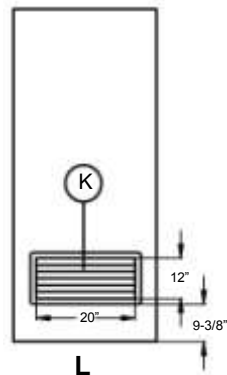
G4 (Add single vertical bar)



G6 (Add single vertical bar)
G9 (Add two vertical bars)



NOTE: 12" x 12" Louver standard for 2' -0" & 2'-4" door – all others 20" x 12", 20" x 24" Louver available



ENGINEERING DETAILS for HANDING

When viewed from the exterior side of the door, the hinge edge of the door determines the hand. When the hinge edge is at the left, the swing is left hand, if the door swings away from the viewer; left hand reverse if it swings toward the viewer. When the hinge edge is at the right, the swing is right hand if the door swings away from the viewer; right hand reverse if it swings toward the viewer.

