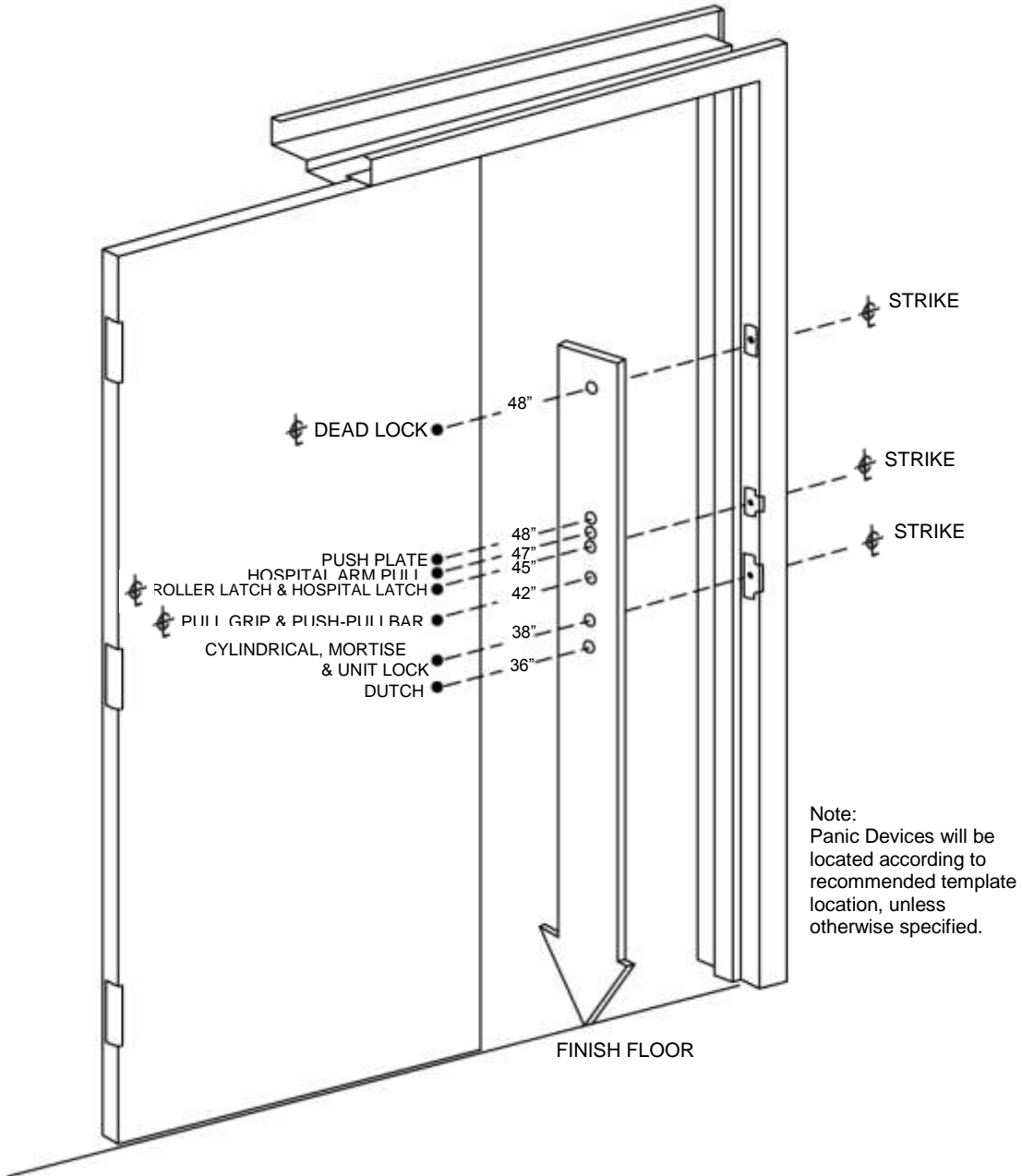


TECHNICAL DATA –GENERAL

LOCK LOCATIONS

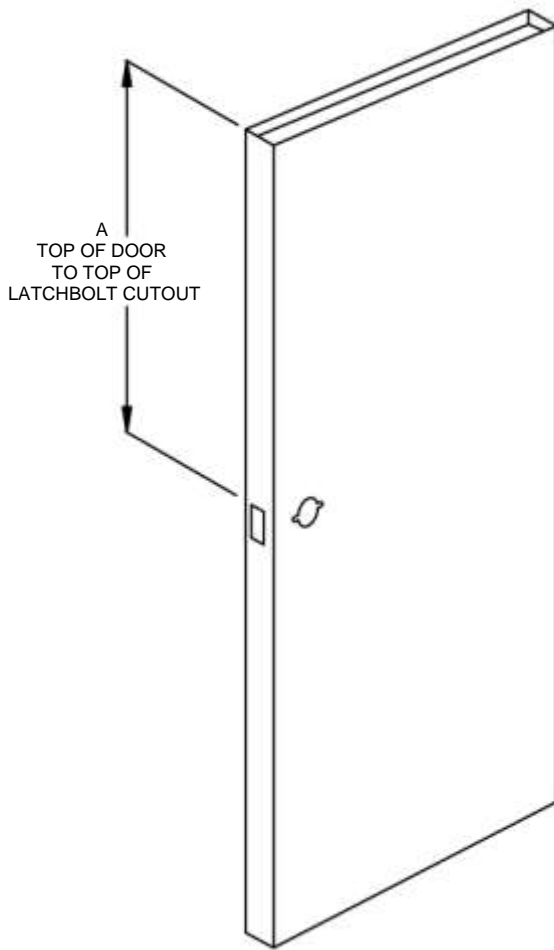
ENGINEERING DETAILS for
STANDARD LOCK LOCATIONS



TECHNICAL DATA – DOORS

GENERAL

**ENGINEERING DETAILS for
STANDARD LOCK LOCATIONS CYLINDRICAL LOCK - GOV'T 161**



* LOCK LOCATION CONFORMS TO
STANDARD STRIKE LOCATION
OF 38" \bar{C} FROM BOTTOM
OF FRAME.

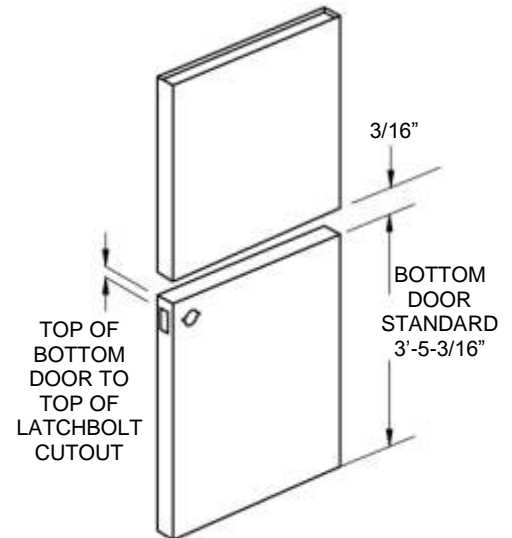
DOOR OPENING HEIGHT	CYLINDRICAL LOCK GOV'T 161 ANSI A156.115
	A*
6'-0"	32-3/4"
6'-2"	34-3/4"
6'-4"	36-3/4"
6'-6"	38-3/4"
6'-8"	40-3/4"
6'-10"	42-3/4"
7'-0"	44-3/4"
7'-2"	46-3/4"
7'-4"	48-3/4"
7'-6"	50-3/4"
7'-8"	52-3/4"
7'-10"	54-3/4"
8'-0"	56-3/4"
8'-2"	58-3/4"
8'-4"	60-3/4"
8'-6"	62-3/4"
8'-8"	64-3/4"
8'-10"	66-3/4"
9'-0"	68-3/4"
9'-2"	70-3/4"
9'-4"	72-3/4"
9'-6"	74-3/4"
9'-8"	76-3/4"
9'-10"	78-3/4"
10'-0"	80-3/4"
10'-2"	82-3/4"
10'-4"	84-3/4"
10'-6"	86-3/4"
10'-8"	88-3/4"
10'-10"	90-3/4"
11'-0"	92-3/4"
11'-2"	94-3/4"
11'-4"	96-3/4"
11'-6"	98-3/4"
11'-8"	100-3/4"
11'-10"	102-3/4"
12'-0"	104-3/4"

TECHNICAL DATA – DOORS

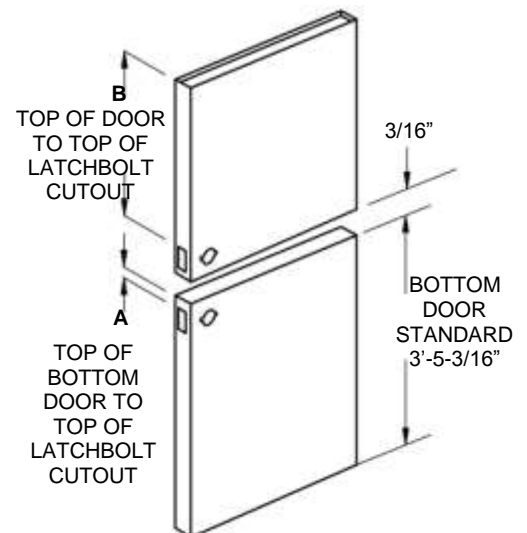
HARDWARE

ENGINEERING DETAILS for STANDARD DUTCH LOCK LOCATION CYLINDRICAL LOCK - GOV'T 161

DOOR OPENING HEIGHT	DUTCH CYLINDRICAL LOCK GOV'T 161 ANSI A115.2	DOOR OPENING HEIGHT	UL DUTCH CYLINDRICAL LOCK BOTH LEAVES GOV'T 161 ANSI A115.2	
	A*		A*	B
6'-0"	4-11/16* (All Sizes)	6'-0"	4-11/16* (All Sizes)	22-15/16"
6'-2"		24-15/16"		
6'-4"		26-15/16"		
6'-6"		28-15/16"		
6'-8"		30-15/16"		
6'-10"		32-15/16"		
7'-0"		34-15/16"		
7'-2"		36-15/16"		
7'-4"		38-15/16"		
7'-6"		40-15/16"		
7'-8"		42-15/16"		
7'-10"		44-15/16"		
8'-0"		46-15/16"		
8'-2"		48-15/16"		
8'-4"		50-15/16"		
8'-6"		52-15/16"		
8'-8"		54-15/16"		
8'-10"		56-15/16"		
9'-0"		58-15/16"		
9'-2"		60-15/16"		
9'-4"		62-15/16"		
9'-6"		64-15/16"		
9'-8"		66-15/16"		
9'-10"		68-15/16"		
10'-0"		70-15/16"		
10'-2"		72-15/16"		
10'-4"		74-15/16"		
10'-6"		76-15/16"		
10'-8"		78-15/16"		
10'-10"		80-15/16"		
11'-0"		82-15/16"		
11'-2"		84-15/16"		
11'-4"	86-15/16"			
11'-6"	88-15/16"			
11'-8"	90-15/16"			
11'-10"	92-15/16"			
12'-0"	94-15/16"			



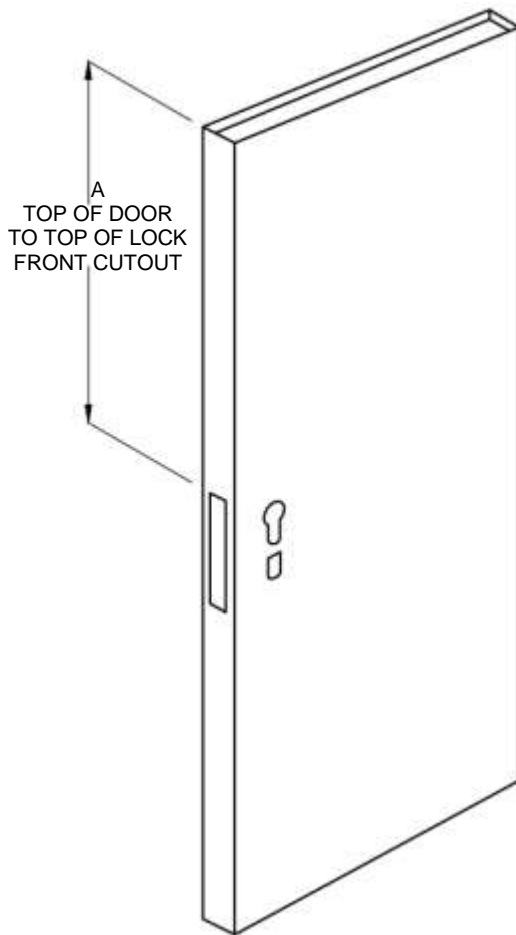
* BOTTOM DOOR LOCK LOCATION CONFORMS TO STANDARD DUTCH STRIKE LOCATION OF 36" \bar{C}_L FROM BOTTOM OF FRAME



TECHNICAL DATA – DOORS

HARDWARE

**ENGINEERING DETAILS for
STANDARD LOCK LOCATIONS
MORTISE LOCK – GOV'T 86**



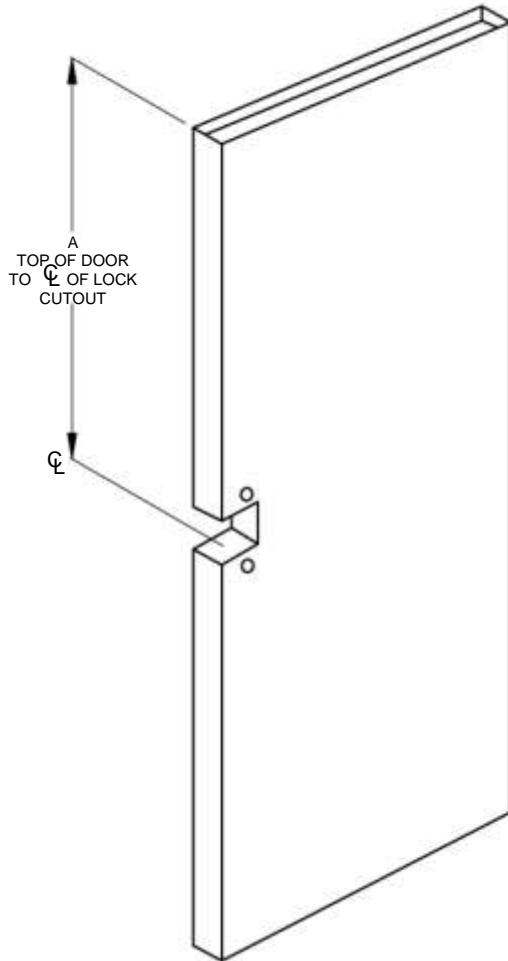
* LOCK LOCATION CONFORMS TO
STANDARD STRIKE LOCATION OF
38" \varnothing FROM BOTTOM OF FRAME.

NOMINAL DOOR OPENING HEIGHT	MORTISE LOCK GOV'T 86 ANSI A156.115
	A*
6' - 0"	30-1/4"
6' - 2"	32-1/4"
6' - 4"	34-1/4"
6' - 6"	36-1/4"
6' - 8"	38-1/4"
6' - 10"	40-1/4"
7' - 0"	42-1/4"
7' - 2"	44-1/4"
7' - 4"	46-1/4"
7' - 6"	48-1/4"
7' - 8"	50-1/4"
7' - 10"	52-1/4"
8' - 0"	54-1/4"
8' - 2"	56-1/4"
8' - 4"	58-1/4"
8' - 6"	60-1/4"
8' - 8"	62-1/4"
8' - 10"	64-1/4"
9' - 0"	66-1/4"
9' - 2"	68-1/4"
9' - 4"	70-1/4"
9' - 6"	72-1/4"
9' - 8"	74-1/4"
9' - 10"	76-1/4"
10' - 0"	78-1/4"
10' - 2"	80-1/4"
10' - 4"	82-1/4"
10' - 6"	84-1/4"
10' - 8"	86-1/4"
10' - 10"	88-1/4"
11' - 0"	90-1/4"
11' - 2"	92-1/4"
11' - 4"	94-1/4"
11' - 6"	96-1/4"
11' - 8"	98-1/4"
11' - 10"	100-1/4"
12' - 0"	102-1/4"

TECHNICAL DATA-DOORS

HARDWARE

**ENGINEERING DETAILS for
STANDARD
LOCK LOCATIONS
PREASSEMBLED (UNIT) LOCK
– GOV'T 90**



* LOCK LOCATION CONFORMS TO
STANDARD STRIKE LOCATION OF
38" \bar{C} FROM BOTTOM OF FRAME.

DOOR OPENING HEIGHT	PREASSEMBLED LOCK (UNIT LOCK OR MONO-LOCK) GOV'T 90 – ANSI A156.115
	A*
6' -0"	33-7/8"
6' -2"	35-7/8"
6' -4"	37-7/8"
6' -6"	39-7/8"
6' -8"	41-7/8"
6' -10"	43-7/8"
7' -0"	45-7/8"
7' -2"	47-7/8"
7' -4"	49-7/8"
7' -6"	51-7/8"
7' -8"	53-7/8"
7' -10"	55-7/8"
8' -0"	57-7/8"
8' -2"	59-7/8"
8' -4"	61-7/8"
8' -6"	63-7/8"
8' -8"	65-7/8"
8' -10"	67-7/8"
9' -0"	69-7/8"
9' -2"	71-7/8"
9' -4"	73-7/8"
9' -6"	75-7/8"
9' -8"	77-7/8"
9' -10"	79-7/8"
10' -0"	81-7/8"
10' -2"	83-7/8"
10' -4"	85-7/8"
10' -6"	87-7/8"
10' -8"	89-7/8"
10' -10"	91-7/8"
11' -0"	93-7/8"
11' -2"	95-7/8"
11' -4"	97-7/8"
11' -6"	99-7/8"
11' -8"	101-7/8"
11' -10"	103-7/8"
12' -0"	105-7/8"