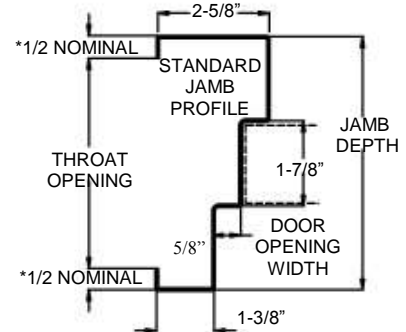
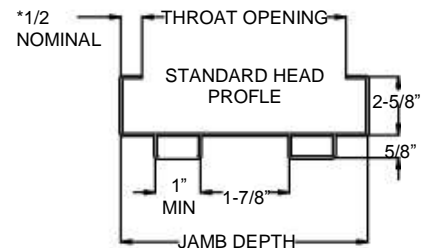
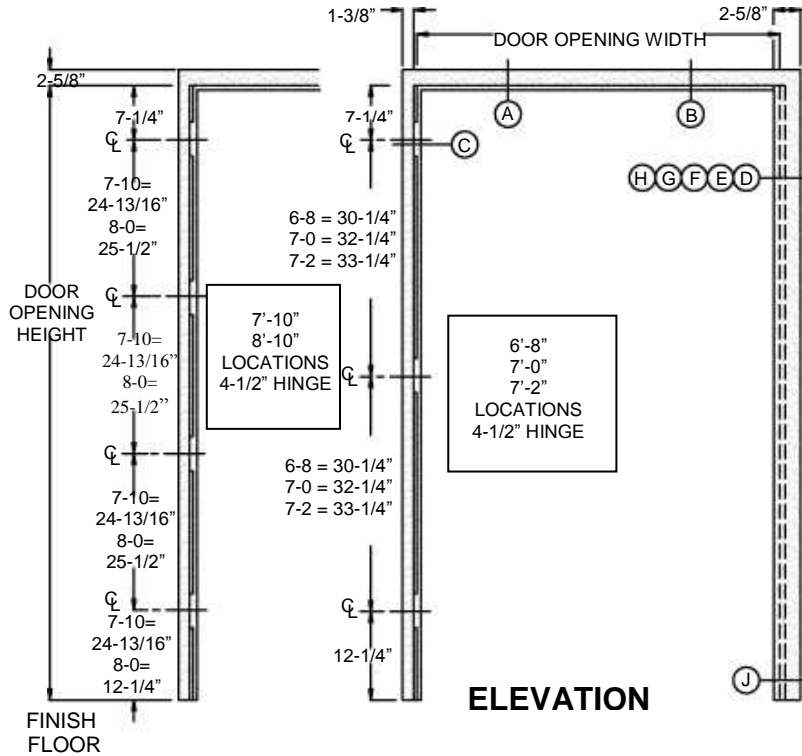


TECHNICAL DATA – FRAMES

F SERIES

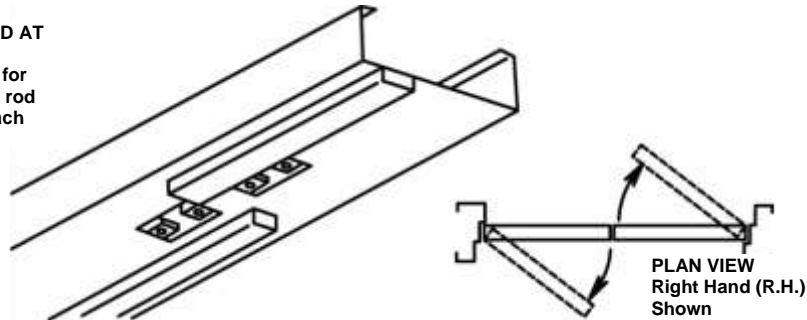
ENGINEERING DETAILS for STANDARD SERIES F-16 and F-14 DOUBLE EGRESS FRAMES for 1 3/4" Doors

Double Egress openings are designed to permit the flow of traffic in two directions, through the same opening.



*7/16" AT 5-3/4" JAMB DEPTH

STANDARD HEAD AT DOOR MEETING
Shown prepared for mortised vertical rod panic strike at each door.




NOTES

Standard Hinge Preparation:

1 1/2 pair of 4 1/2" x 4 1/2" standard weight template hinges for 6'-8", 7'-0" & 7'-2" height. Two pair for 7'-10" and 8'-0" height. Hinge Backset 5/16" for 4 1/2" Regular Weight Butts; 11/32" for 4 1/2" Heavy Weight Butts.



Standard Strike Preparations:

Vertical Rod Panic Device required at  listed frames.

Standard Anchors:

Jamb Anchors —Wire Masonry Anchors are available for all frames. Three (3) anchors per jamb for 6'-8", 7'-0" & 7'-2" height, four anchors per jamb for 7'-10" & 8'-0".

Base Anchors —Rigid Floor Knee furnished as standard for all frames, unless otherwise specified.

Fire Rated Label: All 16 Ga. minimum frames available with **Underwriters Laboratories** listing mark (label) unless specifically prohibited by  Opening must be furnished as a complete door and frame unit. Listed Vertical Rod Panic required both leaves. Frame must be set-up and welded. Frame may be used with wood  doors. Rated for 20 min.

Standard Finish: All frames are furnished with a baked "Dura-Bond" prime finish. Dimensions shown are standard. Variations to suit designed conditions are available.

NOTE: In order to provide our customers with the finest products manufactured in the most up to date manner, Pioneer Industries reserves the right to make design or specific construction changes without notice. Pioneer Industries will not be responsible for errors incurred by other parties through the use of this data sheet without written confirmation from Pioneer. Other trades should contact Pioneer for exact hardware locations.

MANUFACTURING TOLERANCES

Door opening width	
nominal opening	+1/16", - 0"
Door opening height	
nominal opening	± 1/16"
Jamb depth.....	± 1/16"
Throat (between returns)	± 1/16"

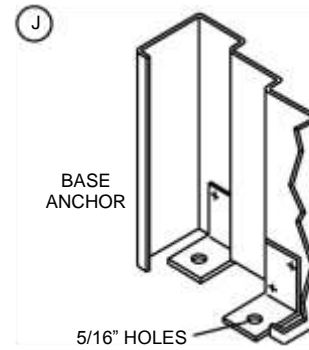
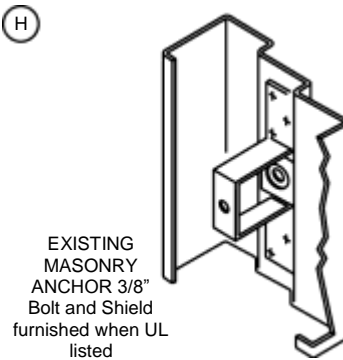
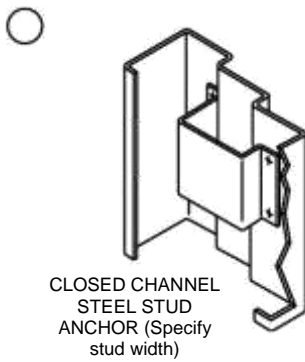
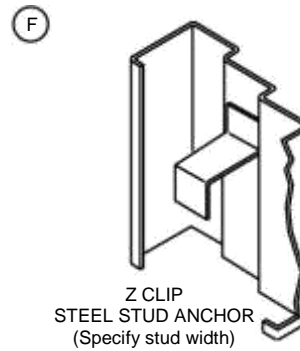
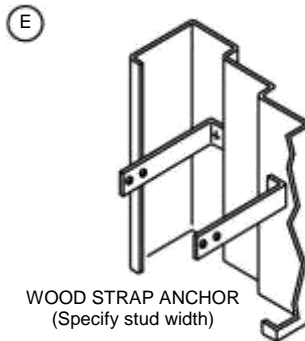
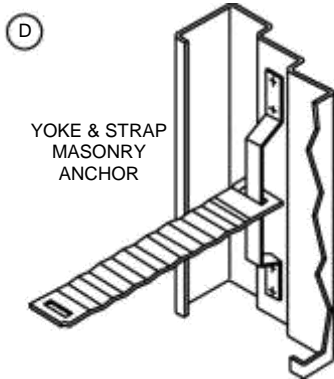
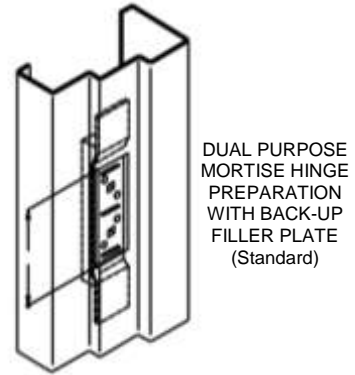
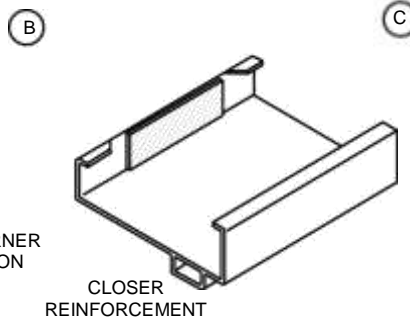
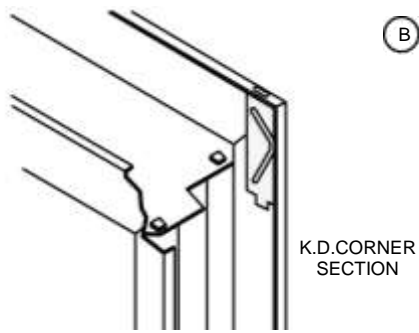
Hardware cutouts

Template dimension + 1/64", - 0"

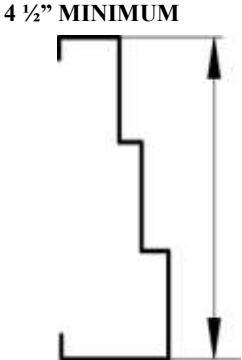
Hardware Prep location

Height	± 1/64"
Backset.....	± 1/64"
Depth.....	+ 1/32", - 0"

FRAME CONSTRUCTION DETAILS



STANDARD SECTION

STANDARD SIZES*		
DOOR OPENING HEIGHT	DOOR OPENING WIDTH OF PAIR	JAMB DEPTH
6'-8" 7'-0" 7'-2" 7'-10" 8'-0"	4'-8"	 <p>4 ½" MINIMUM</p> <p>8 ¾" MAXIMUM</p>
	5'-0"	
	5'-4"	
	5'-8"	
	6'-0"	
	6'-8"	
	7'-0"	
	7'-4"	
	7'-8"	
	8'-0"	

*For other sizes consult factory.