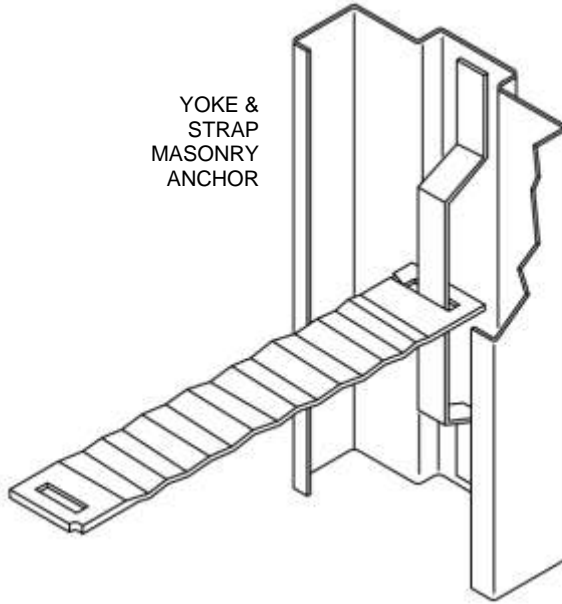
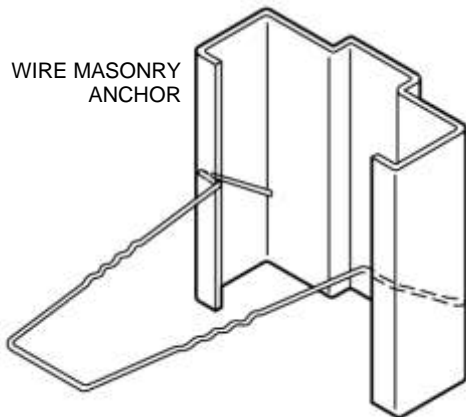


**ENGINEERING DETAILS for  
MASONRY WALL ANCHORS**

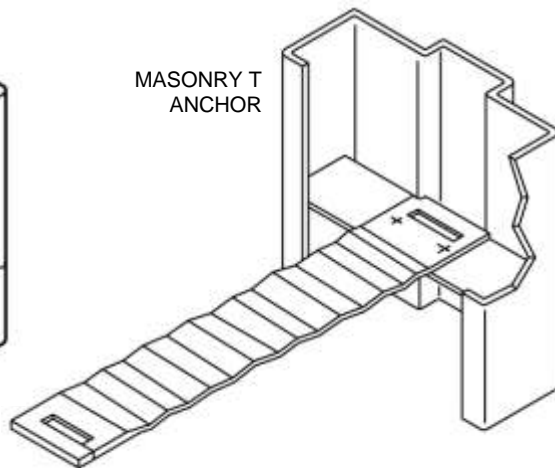
YOKE &  
STRAP  
MASONRY  
ANCHOR



WIRE  
MASONRY  
ANCHOR

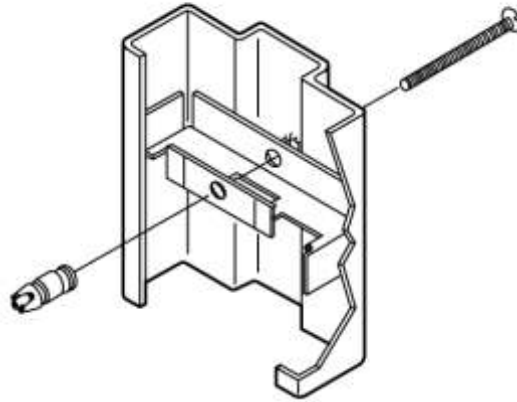


MASONRY T  
ANCHOR

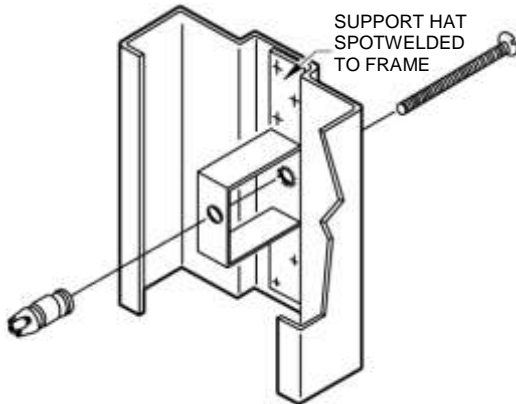


**ENGINEERING DETAILS for  
EXISTING MASONRY ANCHORS**

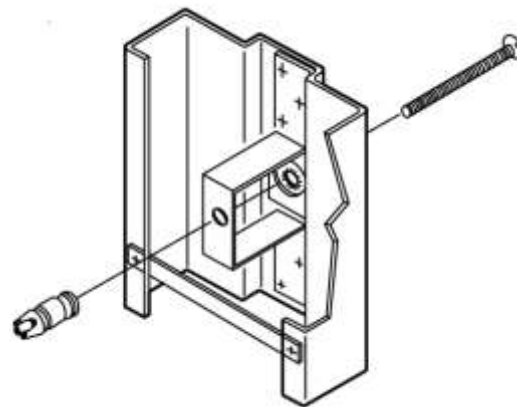
SNAP-IN COMBINATION  
EXISTING MASONRY ANCHOR



EXISTING MASONRY ANCHOR



UL EXISTING MASONRY ANCHOR



Expansion shield and 3/8" flat head machine screw furnished by installing contractor for frames which are not UL classified. Pioneer to furnish expansion shield and screw when frame is UL classified.