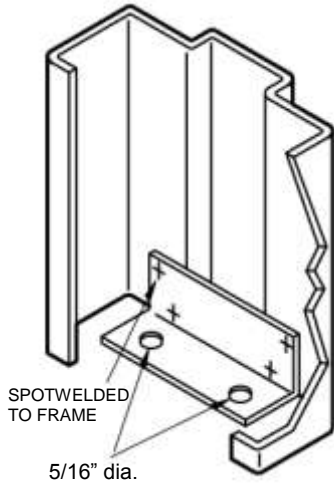
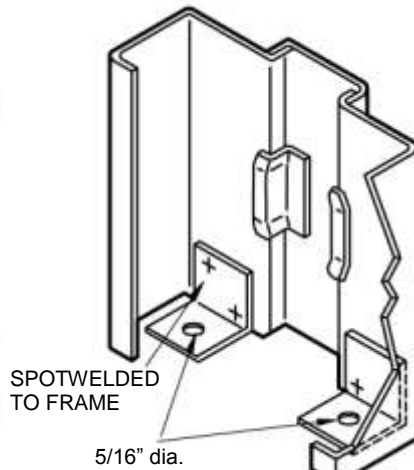


ENGINEERING DETAILS for FLOOR ANCHORS

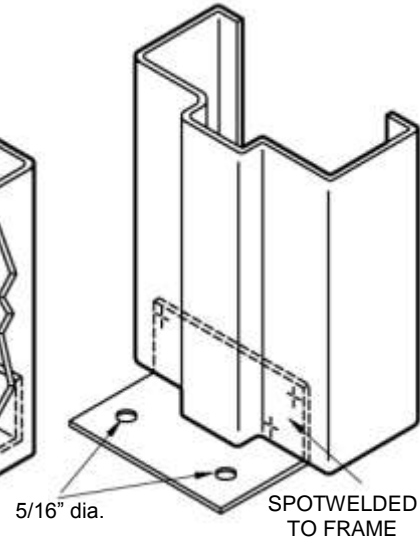
STANDARD 16 GA. FLOOR ANCHOR



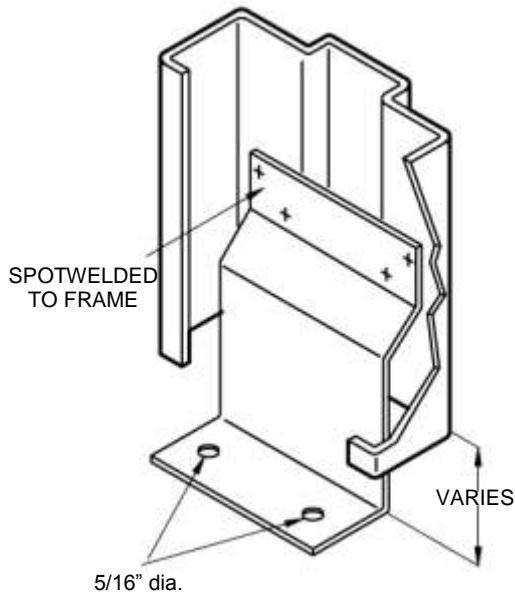
STANDARD FLOOR ANCHOR FOR UNI-FRAME



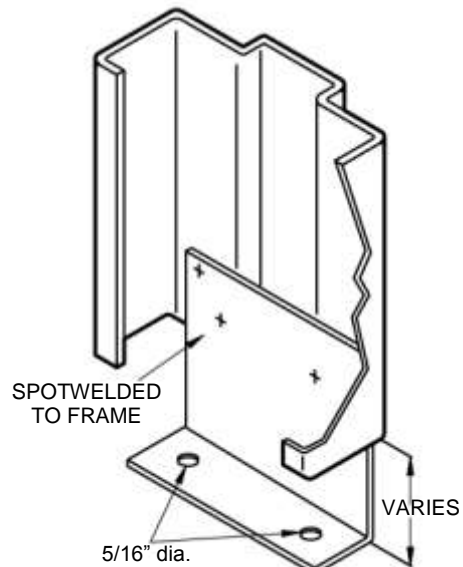
STANDARD FLOOR ANCHOR REVERSED INTO DOOR OPENING



STILT FLOOR ANCHOR EXTENDED TO SUB FLOOR



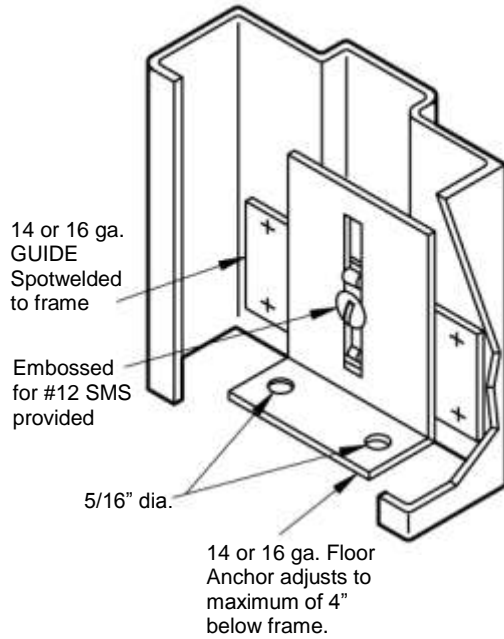
EXTENDED FLOOR ANCHOR RESTING ON SUB FLOOR



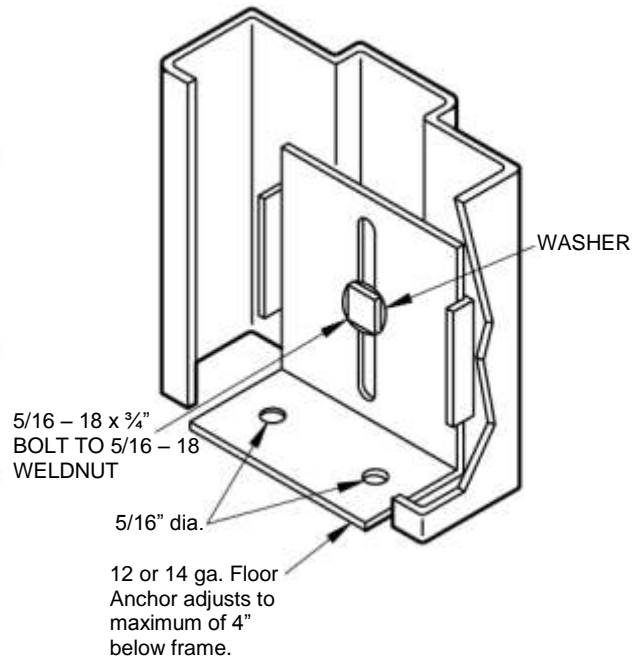
Dimensions and sizes shown are standard. Variations to suit designed conditions are available.

ENGINEERING DETAILS for FLOOR ANCHORS

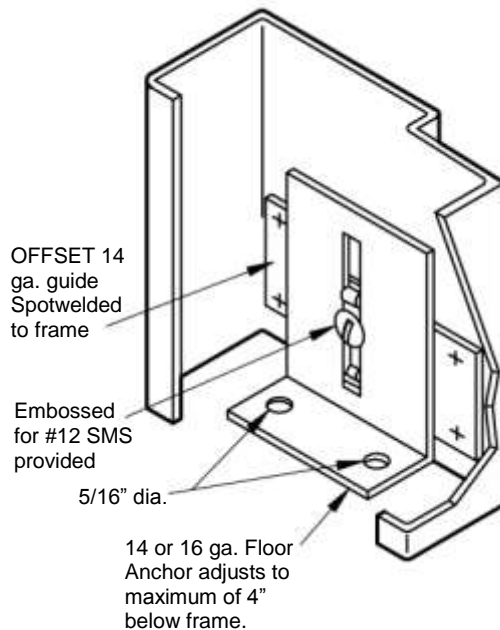
ADJUSTABLE FLOOR ANCHOR



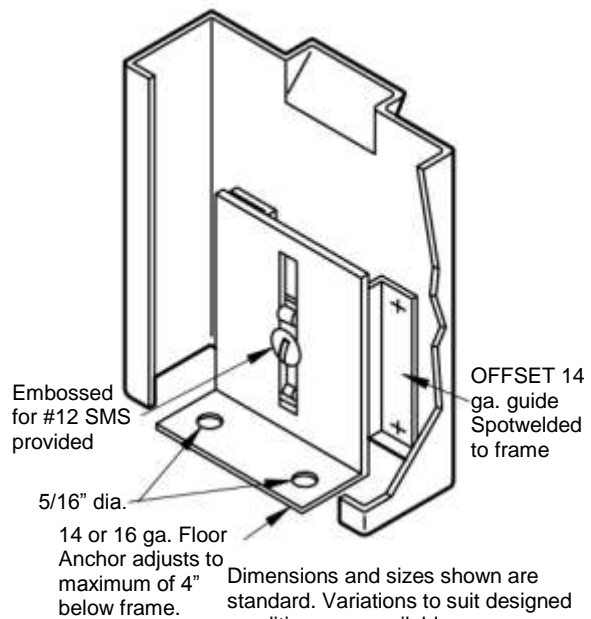
HEAVY DUTY ADJUSTABLE FLOOR ANCHOR



ADJUSTABLE FLOOR ANCHOR FOR SINGLE RABBET PROFILE



ADJUSTABLE FLOOR ANCHOR FOR CUTOFF STOPS OR CASED OPENING FRAMES



Dimensions and sizes shown are standard. Variations to suit designed conditions are available