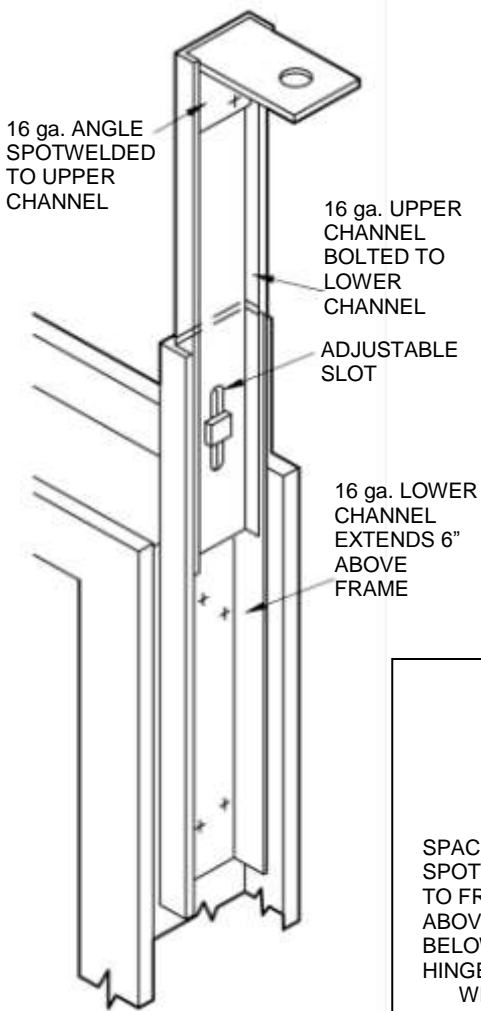


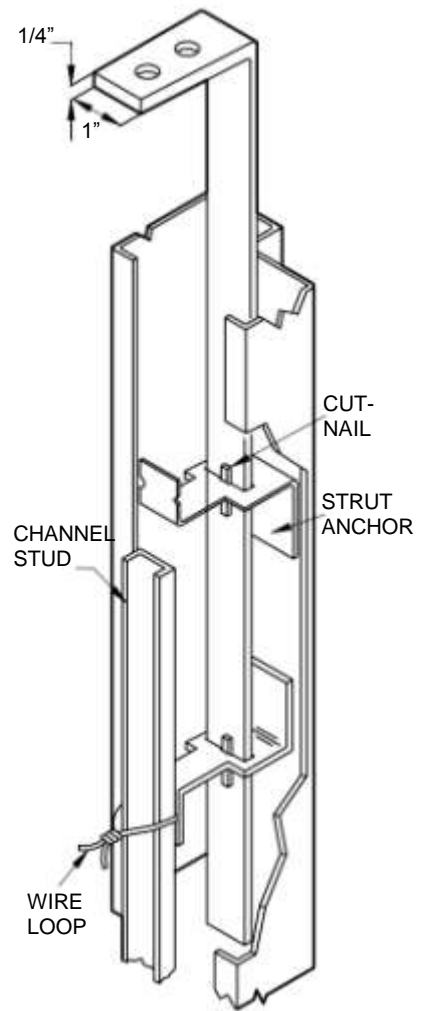
**ENGINEERING DETAILS for
CEILING STRUTS**

CHANNEL STRUT



Dimensions shown are standard. Variations to suit designed conditions are available.

FLAT BAR STRUT



SECTION THRU CHANNEL STRUT

