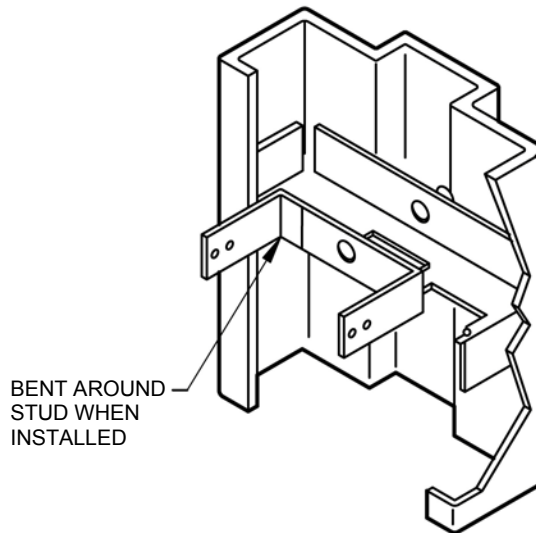


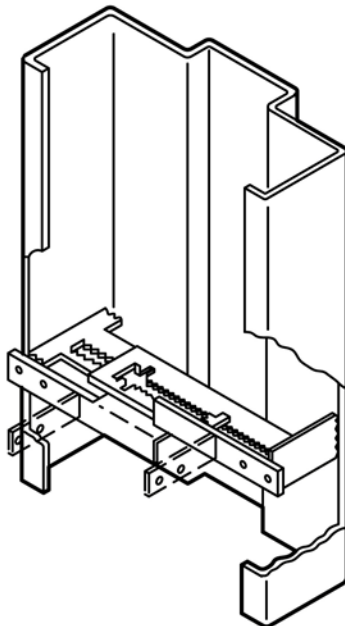
TECHNICAL DATA – FRAMES

**ENGINEERING DETAILS for
WOOD STUD WALL ANCHORS**

SNAP-IN COMBINATION
WALL ANCHOR
FOR WOOD STUD (SHIPPED LOOSE)



SNAP-IN ADJUSTABLE
WALL ANCHOR
FOR WOOD STUD (SHIPPED LOOSE)



INDIVIDUAL WOOD STUD
STRAP WALL ANCHORS (WELD ON)

